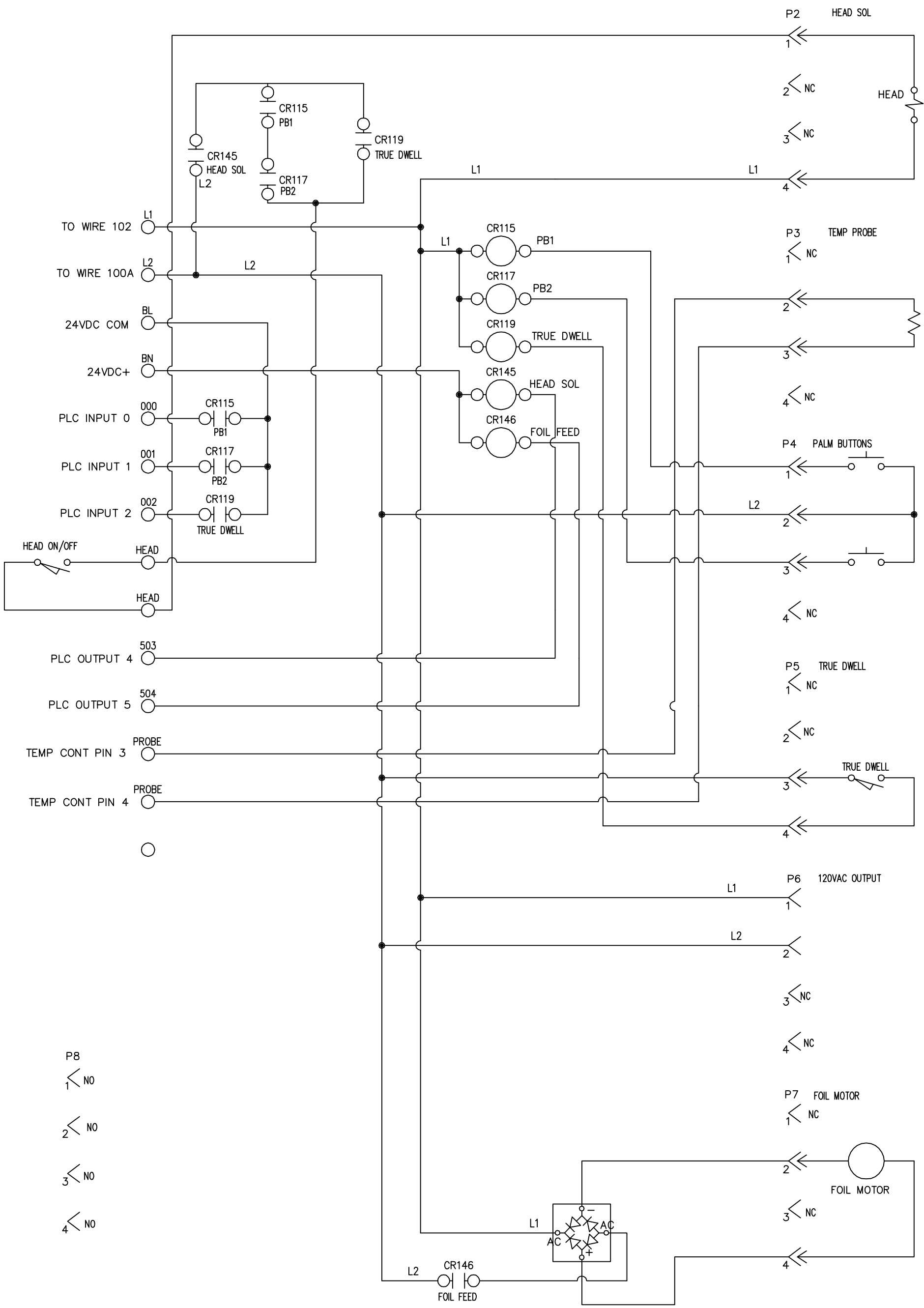


REV	DATE	CHANGE	TR NO.	REV BY.



- P8
1 NO
- 2 NO
- 3 NO
- 4 NO



1313 E. Borchard Ave
Santa Ana, CA 92705

TITLE
OMRON PLC BOX
PC BOARD WIRED FOR OMRON PLC

DRAWING NO. PCB_REV3 SHEET 1 OF 1

DESIGNED BY	IRWIN	12/20/2014
DRAWN BY	IRWIN	12/20/2014
CHECKED BY	C.S.I.	12/20/2014
APPROVED BY	APPROVED_BY	DATE