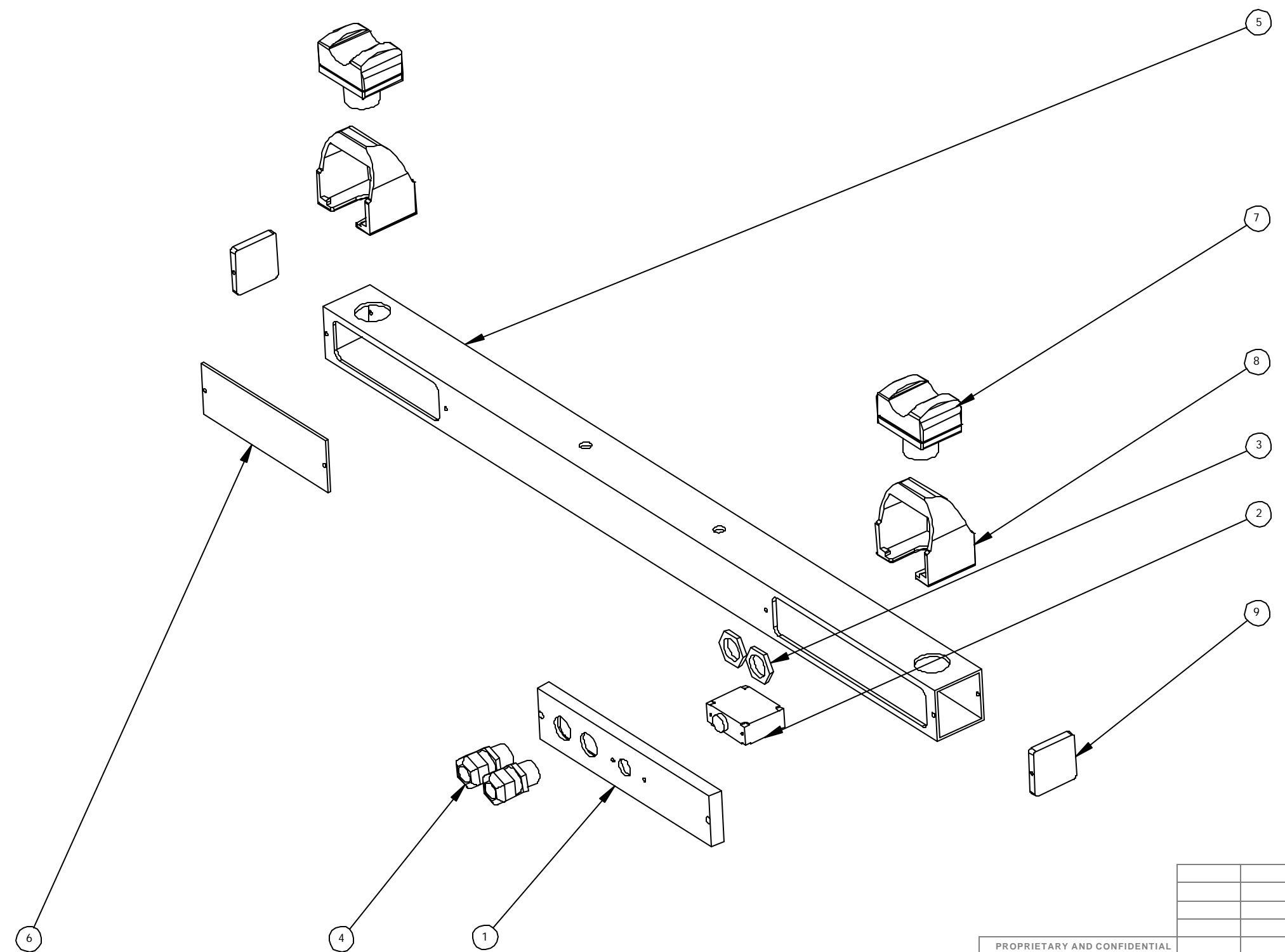


ITEM NO.	QTY.	DESCRIPTION	PART NUMBER
1	1	Switch Plate	19050-002
2	1	PBCircuitBreaker	PBCircuitBreaker
3	2	2522 Nut	2522 Nut
4	2	Strain Relief T&B	2522
5	1	Buttom Bar	19050-001
6	1	Back Plate	19050-003
7	2	Button, Optical Touch, 10-30 VDC	OTBVN6
8	2	Button, Optical Touch, Hood	OTBVN6 Hood
9	2	End Plate	19050-004



PROPRIETARY AND CONFIDENTIAL
 THE INFORMATION CONTAINED IN THIS DRAWING IS THE SOLE PROPERTY OF AFM ENGINEERING, INC. ANY REPRODUCTION IN PART OR AS A WHOLE WITHOUT THE WRITTEN PERMISSION OF AFM ENGINEERING INC. IS PROHIBITED.

		DIMENSIONS ARE IN INCHES		NAME		DATE		AFM Engineering, Inc.	
		TOLERANCES:		DRAWN		2/10/2006		AFM Engineering inc. Light Touch Palm Buttons	
		FRACTIONAL ±		CHECKED		2/10/2006			
		ANGULAR: MACH ± BEND ±		ENG APPR.					
		TWO PLACE DECIMAL ±		MFG APPR.					
		THREE PLACE DECIMAL ±		Q.A.				SIZE DWG. NO.	
MATERIAL		FINISH		COMMENTS:				B 19050-000	
NEXT ASSY	USED ON	APPLICATION		DO NOT SCALE DRAWING		SCALE:1:1 WEIGHT: 5.382		REV.	
						SHEET 1 OF 1			