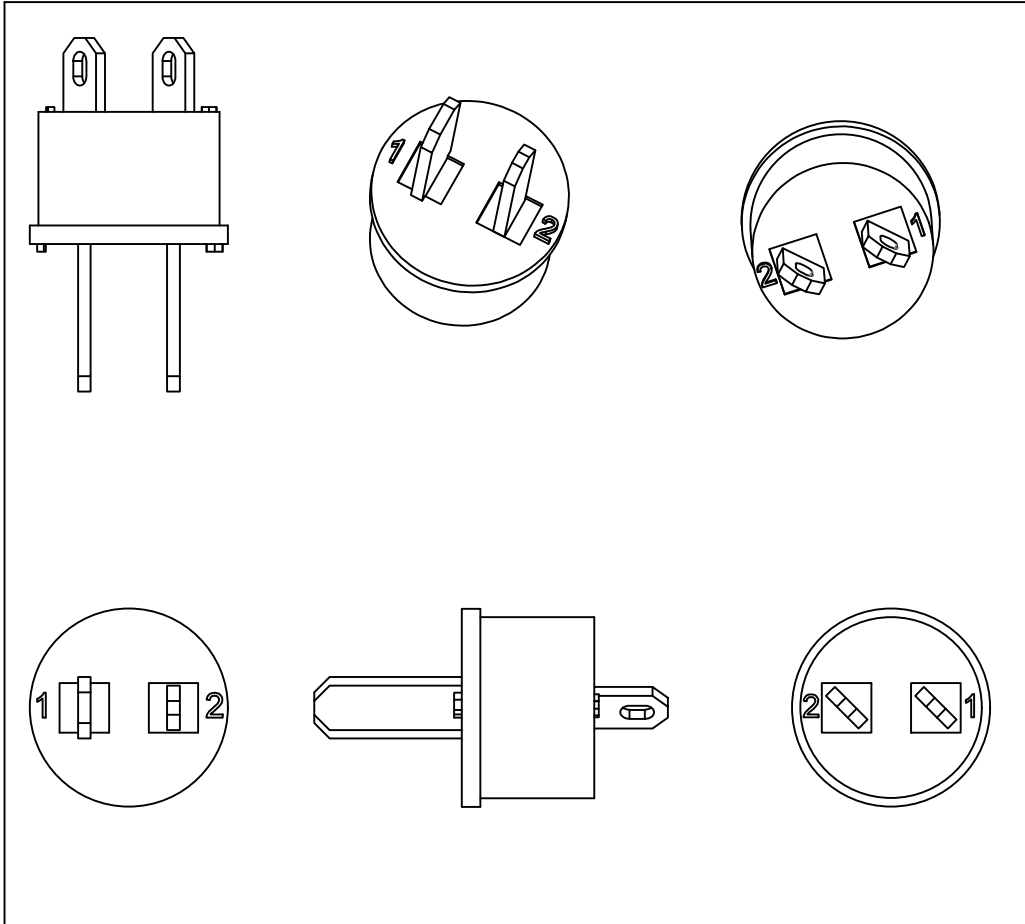
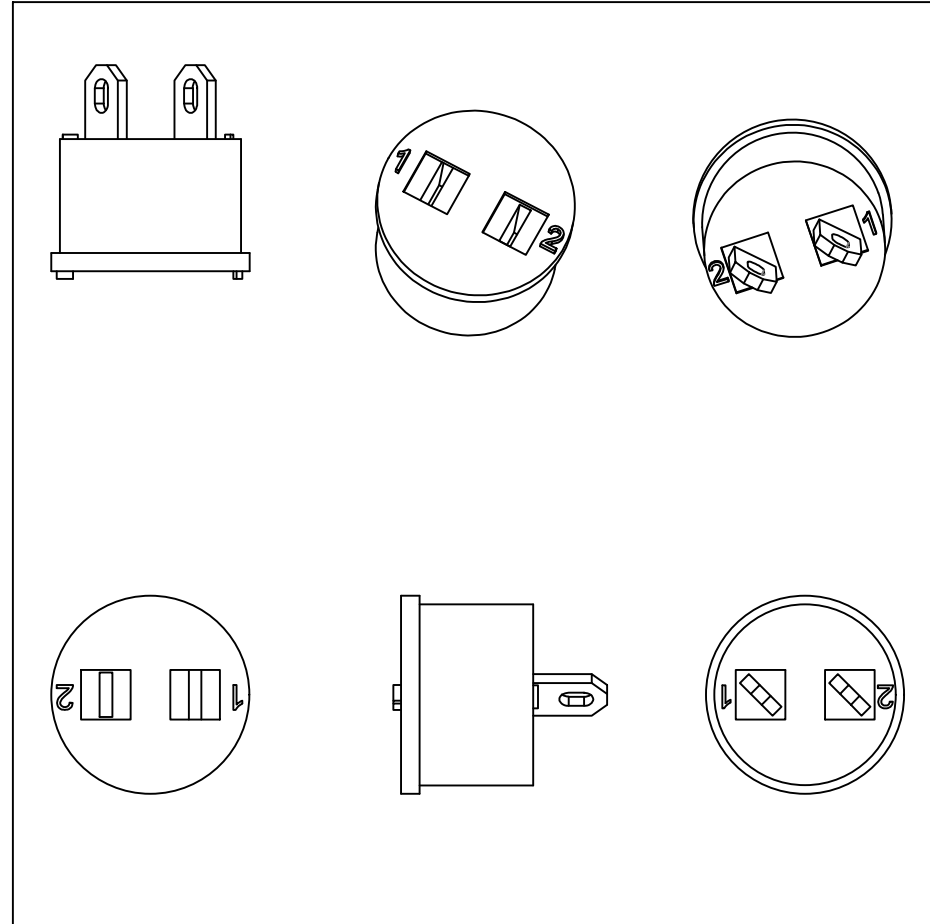


Part Number 100136  
MALE PLUG



Part Number 100135  
FEMALE PLUG



PROPRIETARY AND CONFIDENTIAL

THE INFORMATION CONTAINED IN THIS DRAWING IS THE SOLE PROPERTY OF AFM ENGINEERING, INC. ANY REPRODUCTION IN PART OR AS A WHOLE WITHOUT THE WRITTEN PERMISSION OF AFM ENGINEERING INC. IS PROHIBITED.

		DIMENSIONS ARE IN INCHES		NAME	DATE
		TOLERANCES:		DRAWN	Irwin 12/24/2013
		FRACTIONAL ± .032		CHECKED	Irwin 12/24/2013
		ANGULAR: MACH ± BEND ±		ENG APPR.	
		TWO PLACE DECIMAL ± .005		MFG APPR.	
		THREE PLACE DECIMAL ± .010		G.A.	
		MATERIAL		COMMENTS:	
		6061 Alloy			
NEXT ASSY		USED ON			
APPLICATION		FINISH			
		NONE			
		DO NOT SCALE DRAWING			

AFM Engineering, Inc.

FRANKLIN  
HEAD SOLENOID ASSEMBLY  
HEAD SOLENOID PLUG MALE  
Part # 100135

SIZE	DWG. NO.	REV.
A	P-302H-CCT-L	
SCALE:1:1	WEIGHT: 0.013	SHEET 1 OF 1