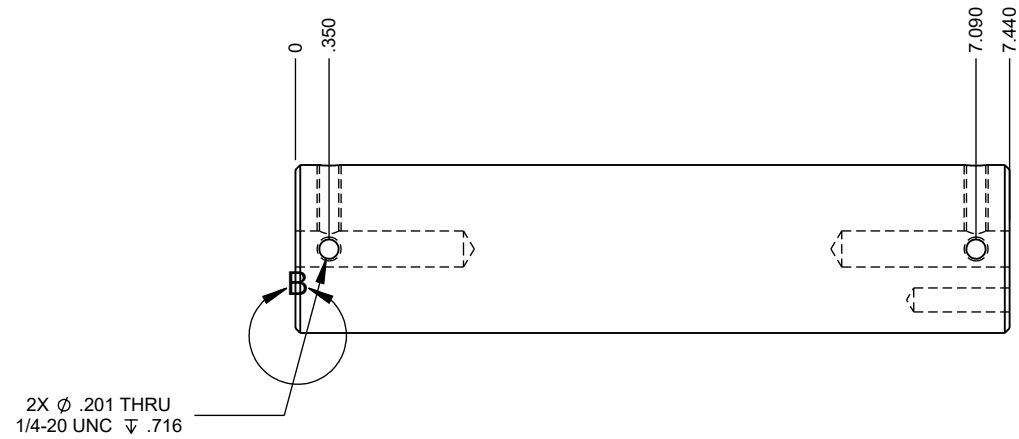
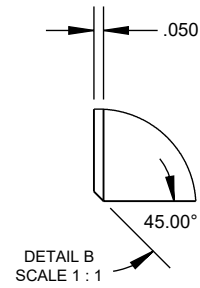
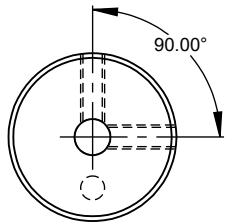


**PROPRIETARY AND CONFIDENTIAL**

THE INFORMATION CONTAINED IN THIS DRAWING IS THE SOLE PROPERTY OF AFM ENGINEERING, INC. ANY REPRODUCTION IN PART OR AS A WHOLE WITHOUT THE WRITTEN PERMISSION OF AFM ENGINEERING INC. IS PROHIBITED.

		DIMENSIONS ARE IN INCHES TOLERANCES: FRACTIONAL $\pm$ .032 ANGULAR: MACH $\pm$ BEND $\pm$ TWO PLACE DECIMAL $\pm$ .010 THREE PLACE DECIMAL $\pm$ .005		NAME	DATE
		MATERIAL 6061 Alloy		Irwin	1/20/2010
NEXT ASSY	USED ON	FINISH Anodize Hard Black		Irwin	1/20/2010
APPLICATION		DO NOT SCALE DRAWING		COMMENTS:	

AFM Engineering, Inc.		
AFM Engineering, Inc. Part # 103143 Knurled Roller 6X8 6X12		
SIZE	DWG. NO.	REV.
A	15310-002 6X8 6X12	
SCALE:1:1	WEIGHT: 1.692	SHEET 1 OF 2



**PROPRIETARY AND CONFIDENTIAL**

THE INFORMATION CONTAINED IN THIS DRAWING IS THE SOLE PROPERTY OF AFM ENGINEERING, INC. ANY REPRODUCTION IN PART OR AS A WHOLE WITHOUT THE WRITTEN PERMISSION OF AFM ENGINEERING INC. IS PROHIBITED.

		DIMENSIONS ARE IN INCHES TOLERANCES: FRACTIONAL ±.032 ANGULAR: MACH ± BEND ± TWO PLACE DECIMAL ±.010 THREE PLACE DECIMAL ±.005	NAME	DATE	<b>AFM Engineering, Inc.</b>  <b>AFM Engineering, Inc.</b> <b>Part # 103143</b> <b>Knurled Roller 6X8 6X12</b>	
			DRAWN	Irwin		1/20/2010
			CHECKED	Irwin		1/20/2010
			ENG APPR.			
			MFG APPR.			
		MATERIAL	6061 Alloy		Q.A. COMMENTS:	
NEXT ASSY	USED ON	FINISH	Anodize Hard Black			
APPLICATION		DO NOT SCALE DRAWING				
		SIZE	DWG. NO.		REV.	
		<b>A</b>	15310-002 6X8 6X12			
		SCALE:1:2	WEIGHT: 1.692		SHEET 2 OF 2	