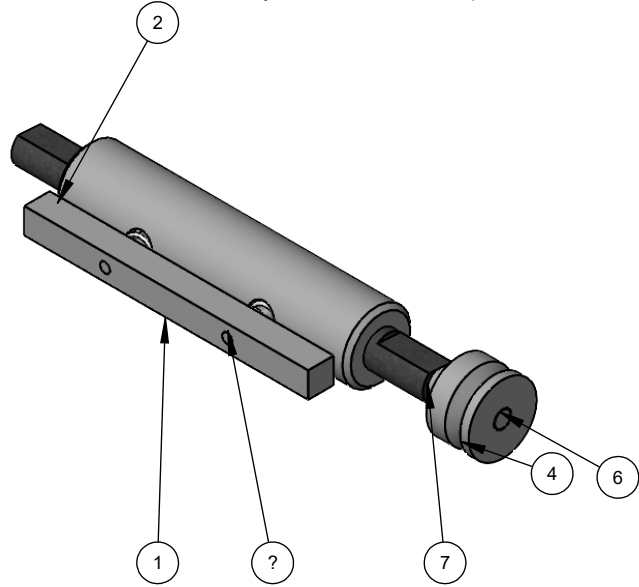
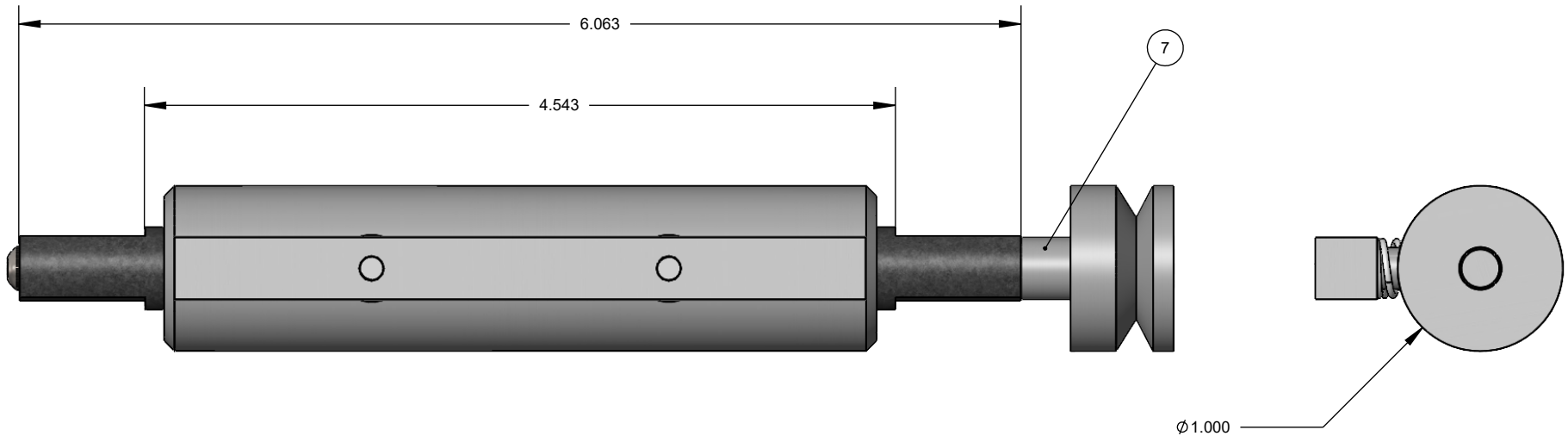


S:\AFMMachines\15000 Foil Feed Systems\15400 Take Up\15410 2X4 3X6\



ITEM NO.	DRAWING NUMBER	PartNo	DESCRIPTION	QTY.
1	15410-001	104462	SQUARE BAR 2X4 3X6	1
2	15410-002	104461	ROUND BAR 2X4 3X6	1
3	15400-001	103811	Delrin Bushing for Foil Takeup	2
4	15400-002	103722	Small Pulley	1
5	15400-003	101156	Take Up Shaft Non Pulley Side	1
6	15400-004	101155	Take Up Shaft Pulley Side	1
7	15400-005	104463	TAKE UP SPACER	1
8	LC-038E-9S	100872	Spring	2
9	91259A540	104464	10-24 Thread	2
10	SBHCSCREW 0.138-32x0.25-HX-N			1



**PROPRIETARY AND CONFIDENTIAL**

THE INFORMATION CONTAINED IN THIS DRAWING IS THE SOLE PROPERTY OF AFM ENGINEERING, INC. ANY REPRODUCTION IN PART OR AS A WHOLE WITHOUT THE WRITTEN PERMISSION OF AFM ENGINEERING INC. IS PROHIBITED.

		DIMENSIONS ARE IN INCHES TOLERANCES: FRACTIONAL $\pm .032$ ANGULAR: MACH $\pm$ BEND $\pm$ TWO PLACE DECIMAL $\pm .010$ THREE PLACE DECIMAL $\pm .005$		NAME	DATE
		MATERIAL		DRAWN	Irwin
		FINISH		CHECKED	Irwin
NEXT ASSY		USED ON		ENG APPR.	
APPLICATION		DO NOT SCALE DRAWING		MFG APPR.	
				Q.A.	
				COMMENTS:	

AFM Engineering, Inc.

Franklin  
Foil Feed,  
Takeup Assembly 2X4 3X6  
AFM Part #103275

SIZE	DWG. NO.	REV.
A	15410-000	
SCALE: 1:1	WEIGHT: 0.438	SHEET 1 OF 1