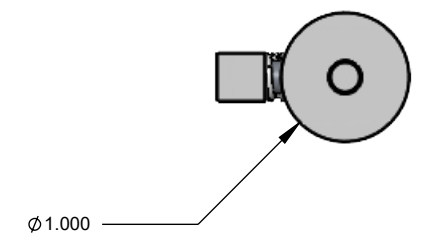
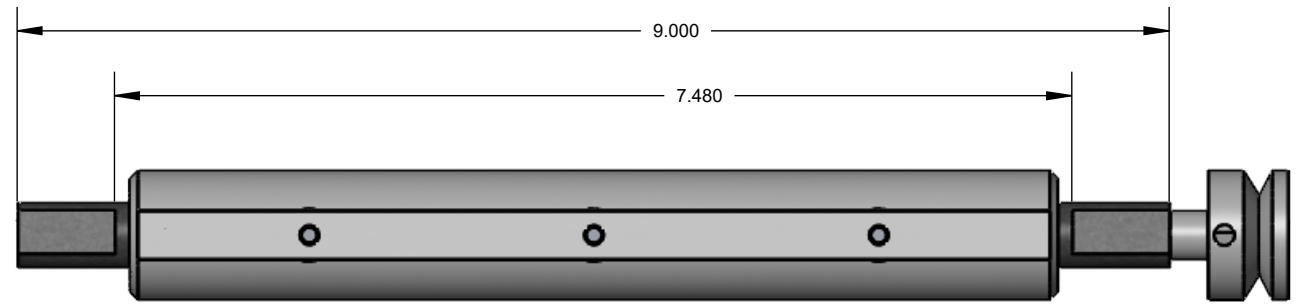
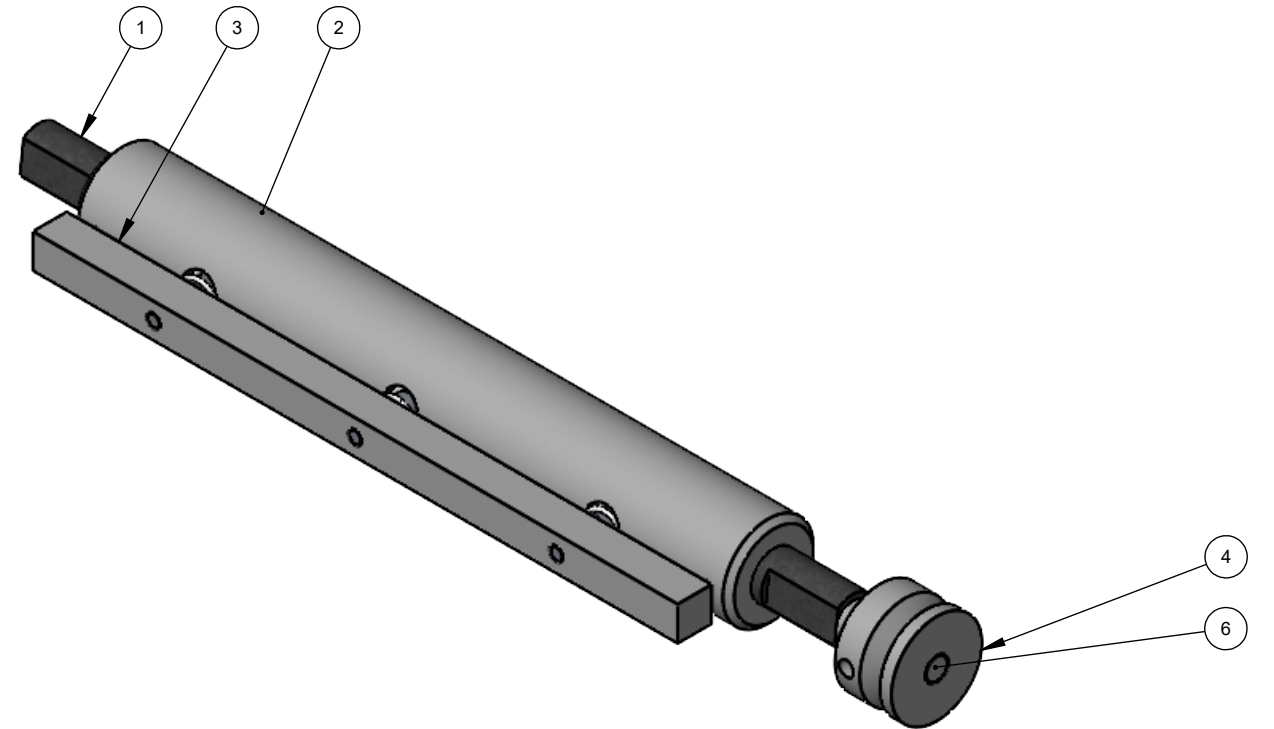


S:\AFMMachines\15000 Foil Feed Systems\15400 Take Up\15420 6X8 6 X12\

ITEM NO.	PART NUMBER	PartNo	DESCRIPTION	QTY.
1	15400-001	103811	Delrin Bushing for Foil Takeup	2
2	15420-001	104498	Roller, 6X8 6X12	1
3	15420-002	104499	Bar, 6X8 6X12	1
4	15400-002	103722	Small Pulley	1
5	15400-003	101156	Take Up Shaft Non Pulley Side	1
6	15400-004	101155	Take Up Shaft Pulley Side	1
7	15400-005	104463	TAKE UP SPACER	1
8	Sholder Bolt	100873	10-24 x 3/4 18-8 SS	3
9	LC-038E-9S	100872	Spring	3



PROPRIETARY AND CONFIDENTIAL
 THE INFORMATION CONTAINED IN THIS DRAWING IS THE SOLE PROPERTY OF AFM ENGINEERING, INC. ANY REPRODUCTION IN PART OR AS A WHOLE WITHOUT THE WRITTEN PERMISSION OF AFM ENGINEERING INC. IS PROHIBITED.

		DIMENSIONS ARE IN INCHES		NAME		DATE		AFM Engineering, Inc.	
		TOLERANCES:		DRAWN	Irwin	9/25/2006		AFM Engineering, Inc. Foil Feed, Takeup Assembly 6X8 6X12 AFM PART # 103276	
		FRACTIONAL ±		CHECKED	Irwin	9/25/2006			
		ANGULAR: MACH ± BEND ±		ENG APPR.					
		TWO PLACE DECIMAL ± .010		MFG APPR.					
		THREE PLACE DECIMAL ± .005		Q.A.					
		MATERIAL		COMMENTS:				SIZE DWG. NO. B 15420-000	
NEXT ASSY	USED ON	FINISH						SCALE:1:1 WEIGHT: 0.706 SHEET 1 OF 1	
APPLICATION		DO NOT SCALE DRAWING							