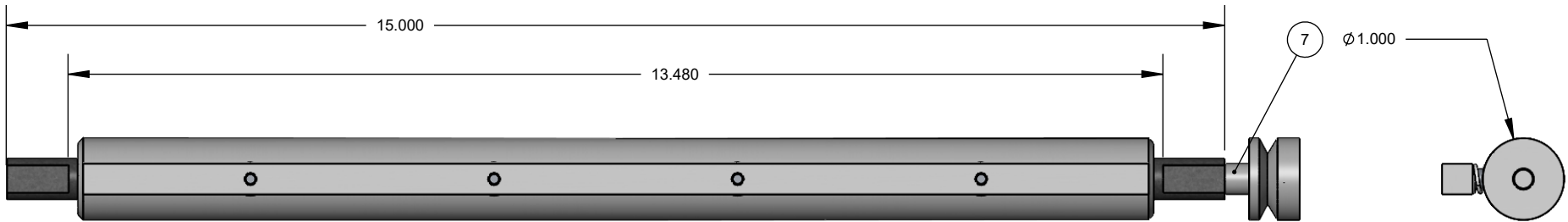
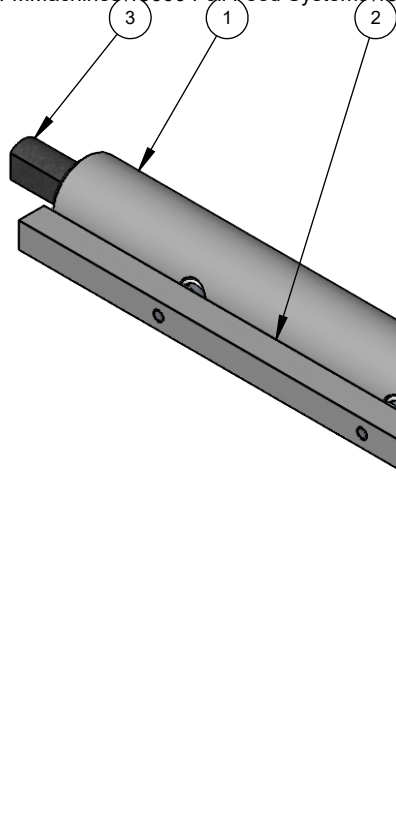


S:\AFMMachines\15000 Foil Feed Systems\15400 Take Up\15440 12X18 12X24

| ITEM NO. | PART NUMBER | PartNo | DESCRIPTION | QTY. |
|----------|--------------|--------|---|------|
| 1 | 15440-001 | 103578 | Bar, 12X18 12X24 | 1 |
| 2 | 15440-002 | 100539 | Takeup Release for 12x18 12x24 Assembly | 1 |
| 3 | 15400-001 | 103811 | Delrin Bushing for Foil Takeup | 2 |
| 4 | 15400-002 | 103722 | Small Pulley | 1 |
| 5 | 15400-003 | 101156 | Take Up Shaft Non Pulley Side | 1 |
| 6 | 15400-004 | 101155 | Take Up Shaft Pulley Side | 1 |
| 7 | 15400-005 | 104463 | TAKE UP SPACER | 1 |
| 8 | Sholder Bolt | 100873 | 10-24 x 3/4 18-8 SS | 4 |
| 9 | LC-038E-9S | 100872 | Spring | 4 |



PROPRIETARY AND CONFIDENTIAL

THE INFORMATION CONTAINED IN THIS DRAWING IS THE SOLE PROPERTY OF AFM ENGINEERING, INC. ANY REPRODUCTION IN PART OR AS A WHOLE WITHOUT THE WRITTEN PERMISSION OF AFM ENGINEERING INC. IS PROHIBITED.

| | | | | | | |
|-------------|---------|--|--|-----------|-------|----------|
| | | DIMENSIONS ARE IN INCHES TOLERANCES: FRACTIONAL $\pm .032$ ANGULAR: MACH \pm BEND \pm TWO PLACE DECIMAL $\pm .010$ THREE PLACE DECIMAL $\pm .005$ | | NAME | DATE | |
| | | MATERIAL | | DRAWN | Irwin | 3/2/2010 |
| | | FINISH | | CHECKED | Irwin | 3/2/2010 |
| NEXT ASSY | USED ON | | | ENG APPR. | | |
| APPLICATION | | DO NOT SCALE DRAWING | | MFG APPR. | | |
| | | | | Q.A. | | |
| | | | | COMMENTS: | | |

AFM Engineering, Inc.

AFM Engineering, Inc.
Foil Feed,
Takeup Assembly 12X18 12X24
AFM Part #103278

| | | |
|-----------|-----------|---------------|
| SIZE | DWG. NO. | REV. |
| A | 15440-000 | |
| SCALE:1:1 | | WEIGHT: 1.242 |
| | | SHEET 1 OF 1 |