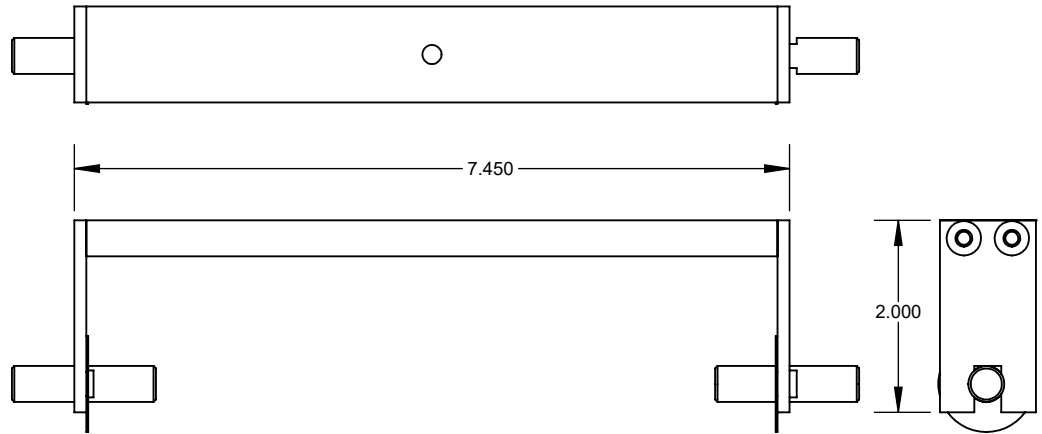
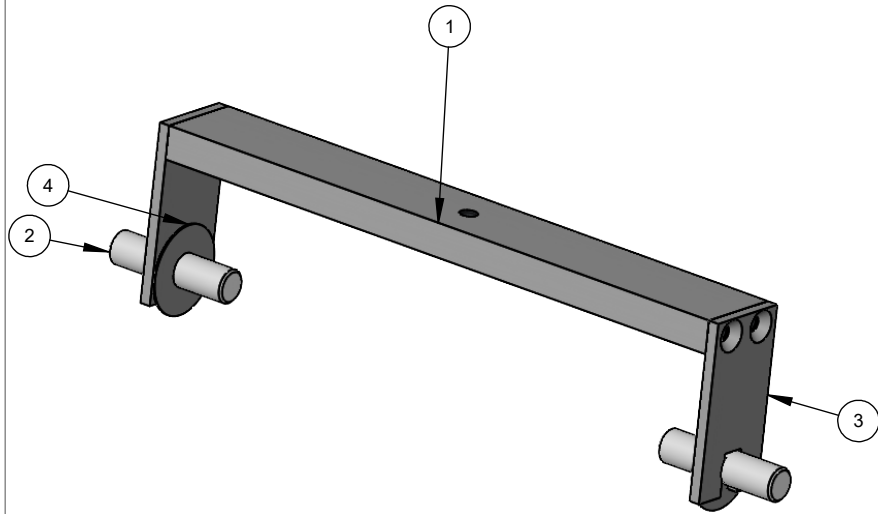


ITEM NO.	DRAWING NUMBER	PartNo	DESCRIPTION	QTY.
1	15520-001	100355	Bar 6x8 6x12	1
2	15500-001	102927	Roller Pusher Pin	2
3	15500-002	104480	Pusher Fork	2
4	15500-003	103074	Washer .750 OD .380 ID .020 T	2



PROPRIETARY AND CONFIDENTIAL

THE INFORMATION CONTAINED IN THIS DRAWING IS THE SOLE PROPERTY OF AFM ENGINEERING, INC. ANY REPRODUCTION IN PART OR AS A WHOLE WITHOUT THE WRITTEN PERMISSION OF AFM ENGINEERING INC. IS PROHIBITED.

		DIMENSIONS ARE IN INCHES TOLERANCES: FRACTIONAL $\pm .032$ ANGULAR: MACH \pm BEND \pm TWO PLACE DECIMAL $\pm .010$ THREE PLACE DECIMAL $\pm .005$		NAME	DATE
		MATERIAL		DRAWN	Irwin
		FINISH		CHECKED	Irwin
NEXT ASSY		USED ON		ENG APPR.	
APPLICATION		DO NOT SCALE DRAWING		MFG APPR.	
				Q.A.	
				COMMENTS:	

AFM Engineering, Inc.

Franklin Kensol/Franklin
Foil Feed, Roller Pressure
Assembly,
6X8 6X12
AFM Part #103489

SIZE	DWG. NO.	REV.
A	15520-000	
SCALE:1:2		WEIGHT: 0.317
		SHEET 1 OF 1