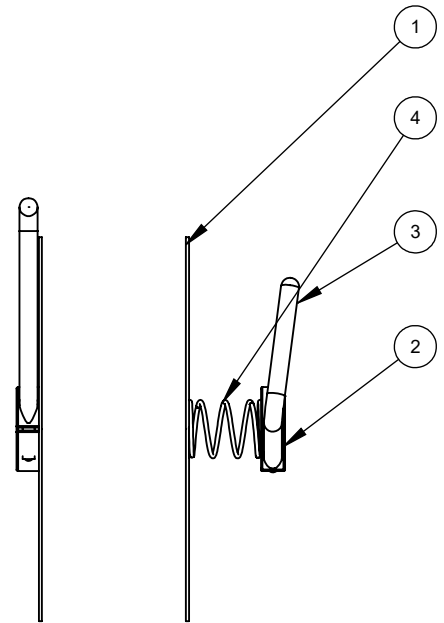
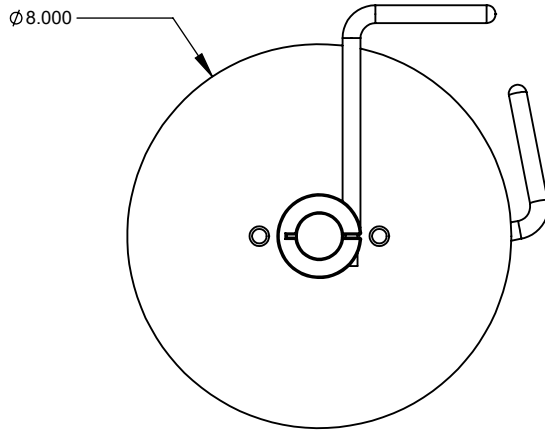
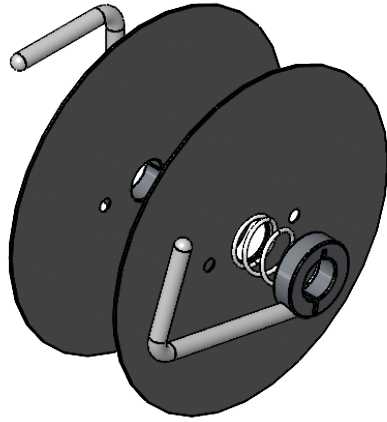


ITEM NO.	PART NUMBER	DESCRIPTION	QTY.
1	15803-001 8 Inch Foil Flange	Supply Flange 8"	2
2	15800-005 Foil Clamp	FOIL FEED SUPPLY CLAMP	2
3	15005-000	-CLAMP HANDLE	2
4	FOIL FEED SUPPLY SPRING	FOIL FEED SUPPLY SPRING	1



**PROPRIETARY AND CONFIDENTIAL**

THE INFORMATION CONTAINED IN THIS DRAWING IS THE SOLE PROPERTY OF AFM ENGINEERING, INC. ANY REPRODUCTION IN PART OR AS A WHOLE WITHOUT THE WRITTEN PERMISSION OF AFM ENGINEERING INC. IS PROHIBITED.

		DIMENSIONS ARE IN INCHES TOLERANCES: FRACTIONAL ±.032 ANGULAR: MACH ± BEND ± TWO PLACE DECIMAL ±.010 THREE PLACE DECIMAL ±.005	NAME	DATE	<b>AFM Engineering, Inc.</b>  <b>AFM Engineering, Inc</b> <b>Foil Feed,</b> <b>Supply Flange Assembly 8"</b> <b>AFM Part #103508</b>
			DRAWN	Irwin	
		CHECKED	Irwin	-	
		ENG APPR.			
		MFG APPR.			
		MATERIAL	Q.A.		
NEXT ASSY	USED ON	FINISH	COMMENTS:		
APPLICATION		DO NOT SCALE DRAWING			
SIZE	DWG. NO.			REV.	
<b>A</b>	15903-000 SUPPLY ASSEMBLY 8 INCH				
SCALE:1:4		WEIGHT: 0.810		SHEET 1 OF 1	