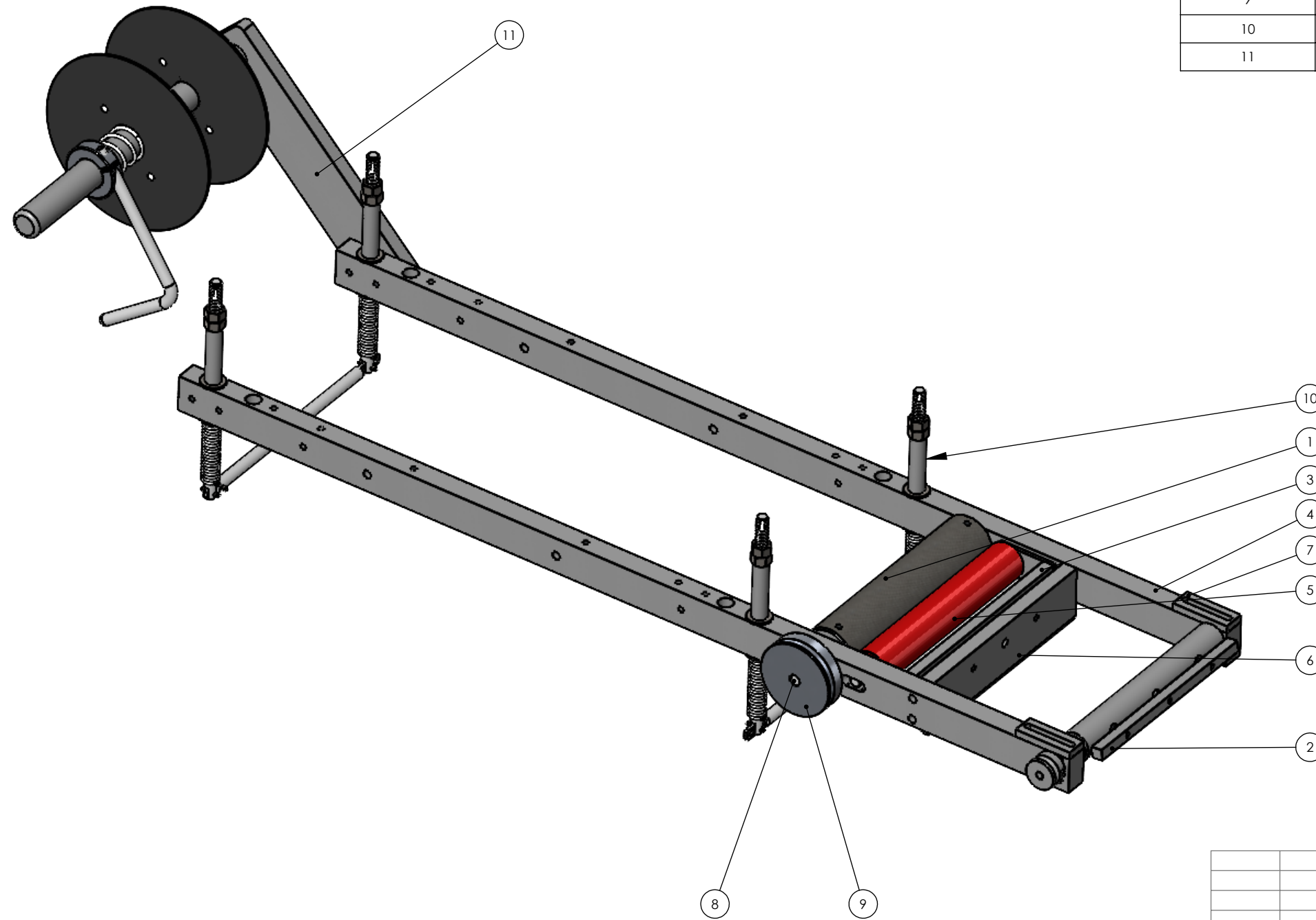


S:\AFMMachines\15000 Foil Feed Systems\15520 6X8 6 X12\

ITEM NO.	DRAWING NUMBER	PartNo	DESCRIPTION	QTY.
1	15310-002 6X8 6X12	103143	Knurled Roller 6X8 6X12	1
2	15420-000	103276 103276	FOIL FEED, TAKE UP ASSEMBLY 6X8 6X12	1
3	15520-000	103489	Roller Pressure Assembly 6X8 6X12	1
4	15710-002 33in Rail	104059	RAIL 33IN	2
5	15322-000	102648	Roller, Rubber, 6X8 6X12	1
6	15620-001	104486	RAIL SPACER, 6X8 6X12	1
7	15000-001	100428	Foil Take Up Keeper	2
8	15000-004	102954	Knurled roller pin (Pulley Side)	1
9	15000-002	100249	Foil Feed Large Pulley	1
10	15920-000 6X8 6X12 8 Vertical	103579	STRIPPER BAR ASSEM 6X8, 6x12, 8L	2
11	15350-000-2X4-6X8	104477	FOIL SUPPLY ASSEM 2"X4" 3"X6'	1



**PROPRIETARY AND CONFIDENTIAL**  
 THE INFORMATION CONTAINED IN THIS DRAWING IS THE SOLE PROPERTY OF AFM ENGINEERING, INC. ANY REPRODUCTION IN PART OR AS A WHOLE WITHOUT THE WRITTEN PERMISSION OF AFM ENGINEERING INC. IS PROHIBITED.

		DIMENSIONS ARE IN INCHES TOLERANCES: FRACTIONAL ± ANGULAR: MACH ± BEND ± TWO PLACE DECIMAL ± THREE PLACE DECIMAL ±		NAME	DATE	AFM Engineering, Inc.
				DRAWN	Irwin	
				CHECKED	Irwin	-
				ENG APPR.		
				MFG APPR.		
				Q.A.		
				COMMENTS:		
NEXT ASSY	USED ON	MATERIAL				AFM Engineering, Inc. FOIL FEED, 6X8 6X12, NO DRIVE PARTNO 103534
APPLICATION	DO NOT SCALE DRAWING	FINISH				
				SIZE	DWG. NO.	REV.
				B	15520-000-1	
				SCALE: 1:1	WEIGHT: 12.427	SHEET 1 OF 1