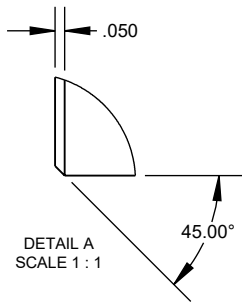
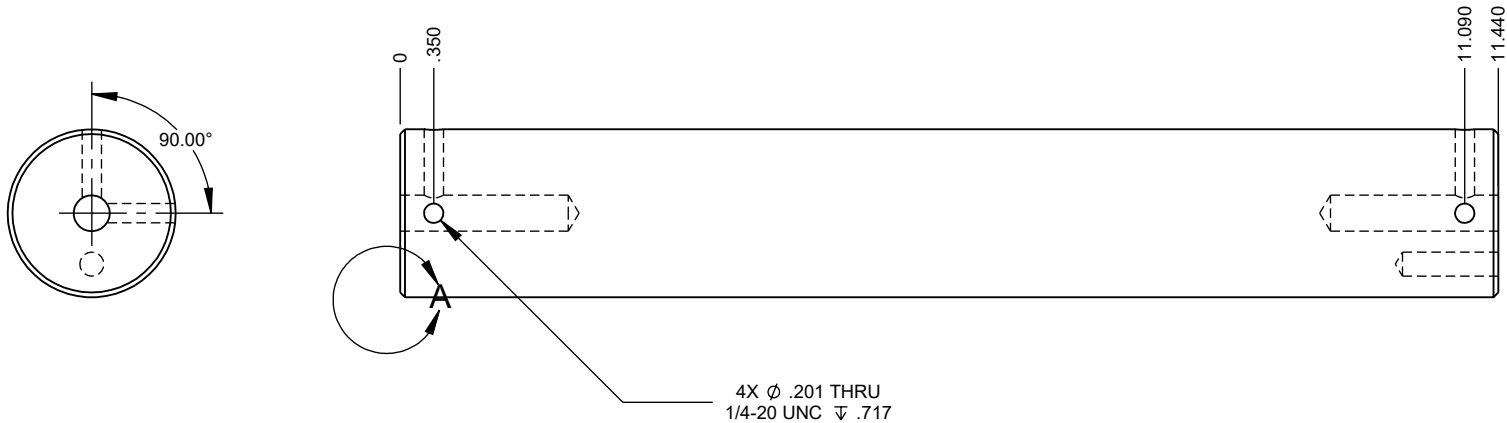


PROPRIETARY AND CONFIDENTIAL

THE INFORMATION CONTAINED IN THIS DRAWING IS THE SOLE PROPERTY OF AFM ENGINEERING, INC. ANY REPRODUCTION IN PART OR AS A WHOLE WITHOUT THE WRITTEN PERMISSION OF AFM ENGINEERING INC. IS PROHIBITED.

		DIMENSIONS ARE IN INCHES TOLERANCES: FRACTIONAL ±.032 ANGULAR: MACH ± BEND ± TWO PLACE DECIMAL ±.010 THREE PLACE DECIMAL ±.005		NAME	DATE
		MATERIAL		Irwin	1/20/2010
		6061 Alloy		Irwin	1/20/2010
NEXT ASSY	USED ON	FINISH		COMMENTS:	
		Anodize Black Hard			
APPLICATION		DO NOT SCALE DRAWING			

AFM Engineering, Inc.		
AFM Engineering, Inc. Part # 103144 10 X 15 Knurled Roller		
SIZE	DWG. NO.	REV.
A	15310-003 10X15	
SCALE:1:1	WEIGHT: 2.631	SHEET 1 OF 2



PROPRIETARY AND CONFIDENTIAL

THE INFORMATION CONTAINED IN THIS DRAWING IS THE SOLE PROPERTY OF AFM ENGINEERING, INC. ANY REPRODUCTION IN PART OR AS A WHOLE WITHOUT THE WRITTEN PERMISSION OF AFM ENGINEERING INC. IS PROHIBITED.

		DIMENSIONS ARE IN INCHES TOLERANCES: FRACTIONAL $\pm .032$ ANGULAR: MACH \pm BEND \pm TWO PLACE DECIMAL $\pm .010$ THREE PLACE DECIMAL $\pm .005$		NAME	DATE	AFM Engineering, Inc.	
				DRAWN	Irwin		
				CHECKED	Irwin	1/20/2010	AFM Engineering, Inc. Part # 103144 10 X 15 Knurled Roller
				ENG APPR.			
				MFG APPR.			
				Q.A.			
				COMMENTS:			
		MATERIAL		6061 Alloy			
NEXT ASSY	USED ON	FINISH		Anodize Black Hard			
APPLICATION		DO NOT SCALE DRAWING					
				SIZE	DWG. NO.		REV.
				A	15310-003 10X15		
				SCALE:1:4		WEIGHT: 2.631	SHEET 2 OF 2