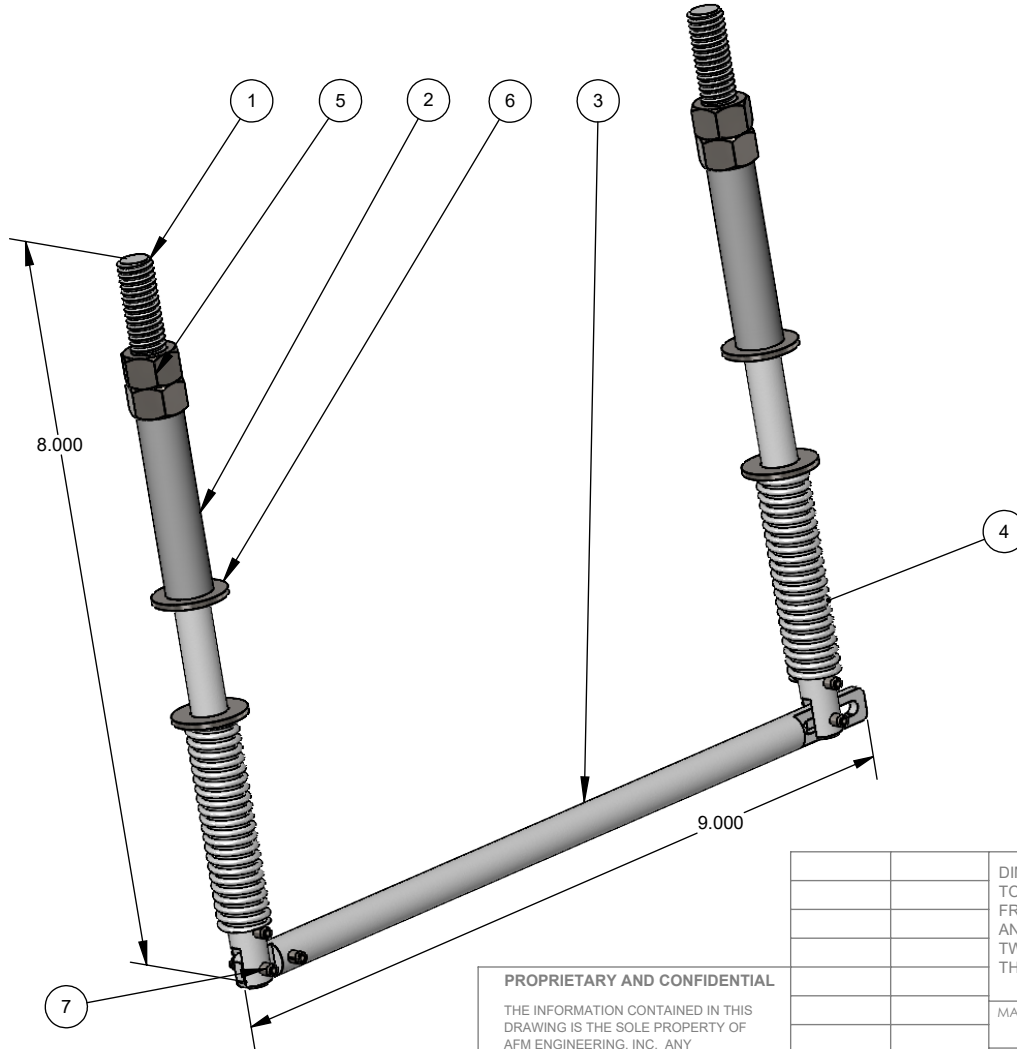


S:\AFMMachines\15000 Foil Feed Systems\15100 Stripper Bar\Franklin\6X8 6X12

ITEM NO.	PART NUMBER	PartNo	DESCRIPTION	QTY.
1	15100-001 8inch Vertical	104482	STRIPPER BAR VERTICAL 8 INCH	2
2	15100-003 2inch Spacer		-	2
3	15100-005 9inch Horizontal	102768	-	1
4	Default			2
5	HNUT 0.3750-16-D-N			4
6	Preferred Narrow FW 0.375			4
7	SPS 0.125x0.625			5



PROPRIETARY AND CONFIDENTIAL

THE INFORMATION CONTAINED IN THIS DRAWING IS THE SOLE PROPERTY OF AFM ENGINEERING, INC. ANY REPRODUCTION IN PART OR AS A WHOLE WITHOUT THE WRITTEN PERMISSION OF AFM ENGINEERING INC. IS PROHIBITED.

		DIMENSIONS ARE IN INCHES TOLERANCES: FRACTIONAL $\pm .032$ ANGULAR: MACH \pm BEND \pm TWO PLACE DECIMAL $\pm .005$ THREE PLACE DECIMAL $\pm .010$		NAME	DATE	AFM Engineering, Inc.	
				Irwin	-		
				Irwin	-	FRANKLIN KENSOL-FRANKLIN - STRIPPER BAR ASSEM 6X8, 6x12, 8x12 Part # 103579	
						SIZE DWG. NO. REV. A 15920-000 6X8 6X12 8 Vertical	
				COMMENTS:		SCALE:1:1 WEIGHT: 0.139 SHEET 1 OF 1	
NEXT ASSY	USED ON	FINISH					
APPLICATION		DO NOT SCALE DRAWING					