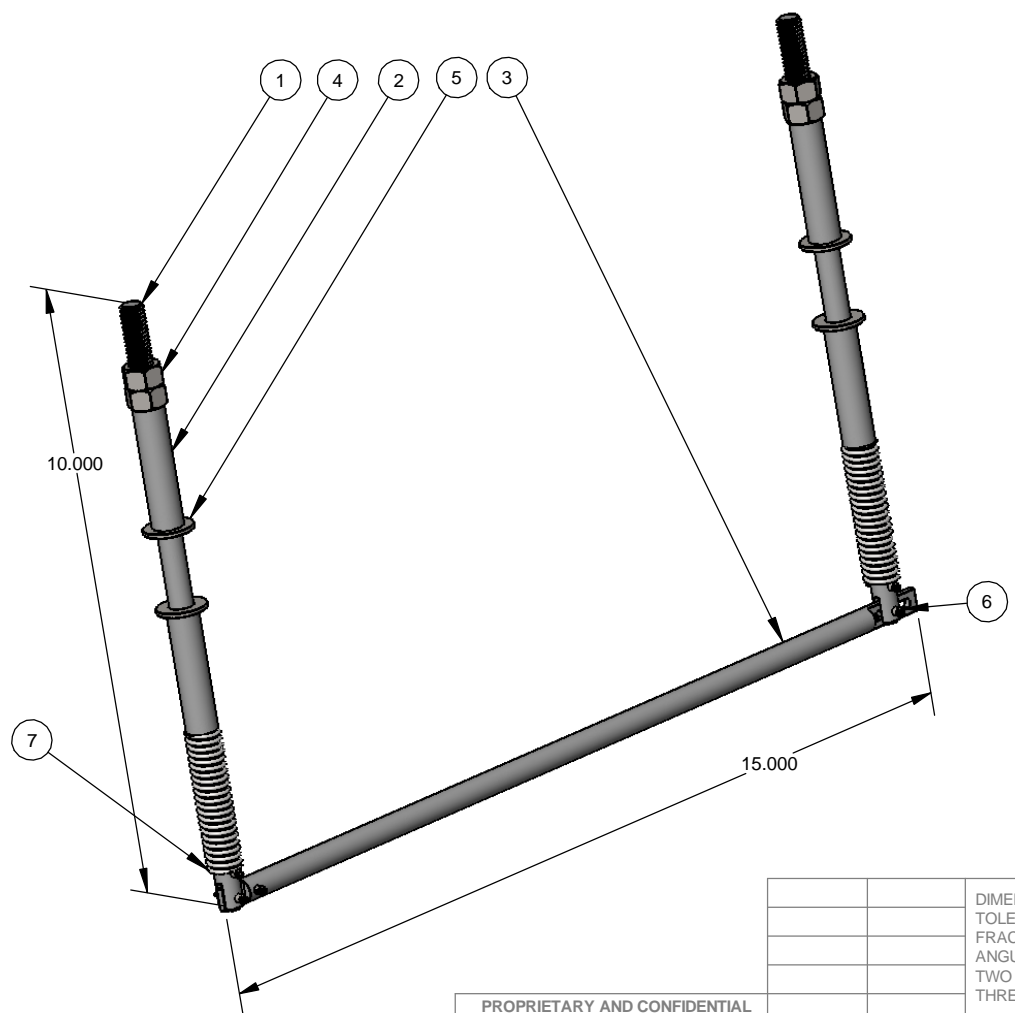


S:\AFMMachines\15000 Foil Feed Systems\15100 Stripper Bar\Franklin\12X18,12X24\

ITEM NO.	PART NUMBER	DESCRIPTION	QTY.
1	15100-002 10inch Vertical	STRIPPER BAR VERTICAL 10 INCH	2
2	15100-003 2inch Spacer	-	4
3	15100-007 15inch Horizontal	-	1
4	HNUT 0.3750-16-D-N		4
5	Preferred Narrow FW 0.375		4
6	SPS 0.125x0.625		5
7	Default		2



**PROPRIETARY AND CONFIDENTIAL**

THE INFORMATION CONTAINED IN THIS DRAWING IS THE SOLE PROPERTY OF AFM ENGINEERING, INC. ANY REPRODUCTION IN PART OR AS A WHOLE WITHOUT THE WRITTEN PERMISSION OF AFM ENGINEERING INC. IS PROHIBITED.

		DIMENSIONS ARE IN INCHES		NAME	DATE
		TOLERANCES:		Irwin	-
		FRACTIONAL ±.032		CHECKED	Irwin
		ANGULAR: MACH ± BEND ±		ENG APPR.	
		TWO PLACE DECIMAL ±.005		MFG APPR.	
		THREE PLACE DECIMAL ±.010		Q.A.	
		MATERIAL		COMMENTS:	
NEXT ASSY	USED ON	FINISH			
APPLICATION		DO NOT SCALE DRAWING			

AFM Engineering, Inc.		
FRANKLIN KENSOL-FRANKLIN		
STRIPPER BAR ASSEM 12X18,12X24 10L		
Part # 103586		
SIZE	DWG. NO.	REV.
A	15942-000 12X18, 12X24, 10 Vertical	
SCALE:1:1	WEIGHT: 0.424	SHEET 1 OF 1