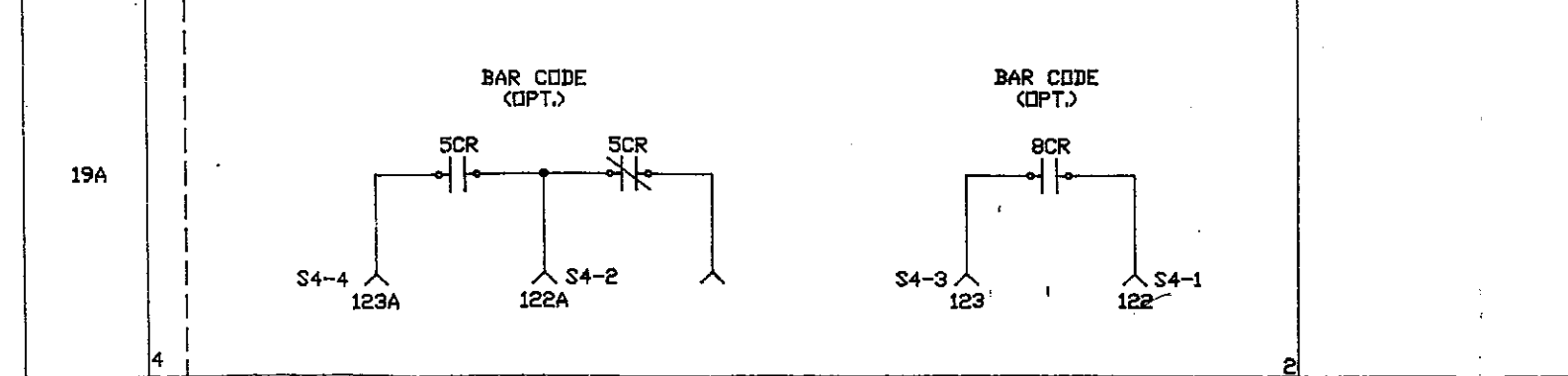
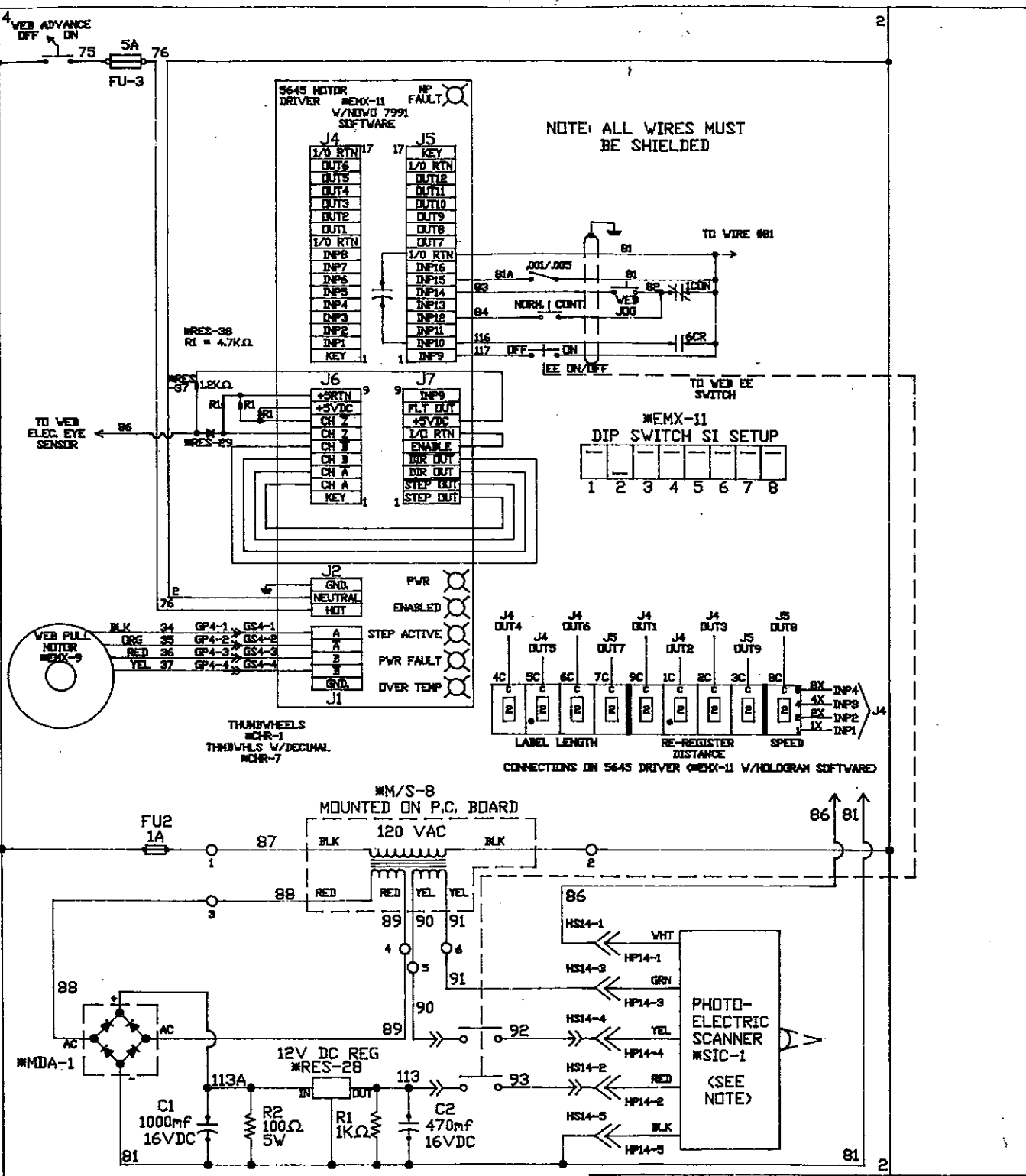
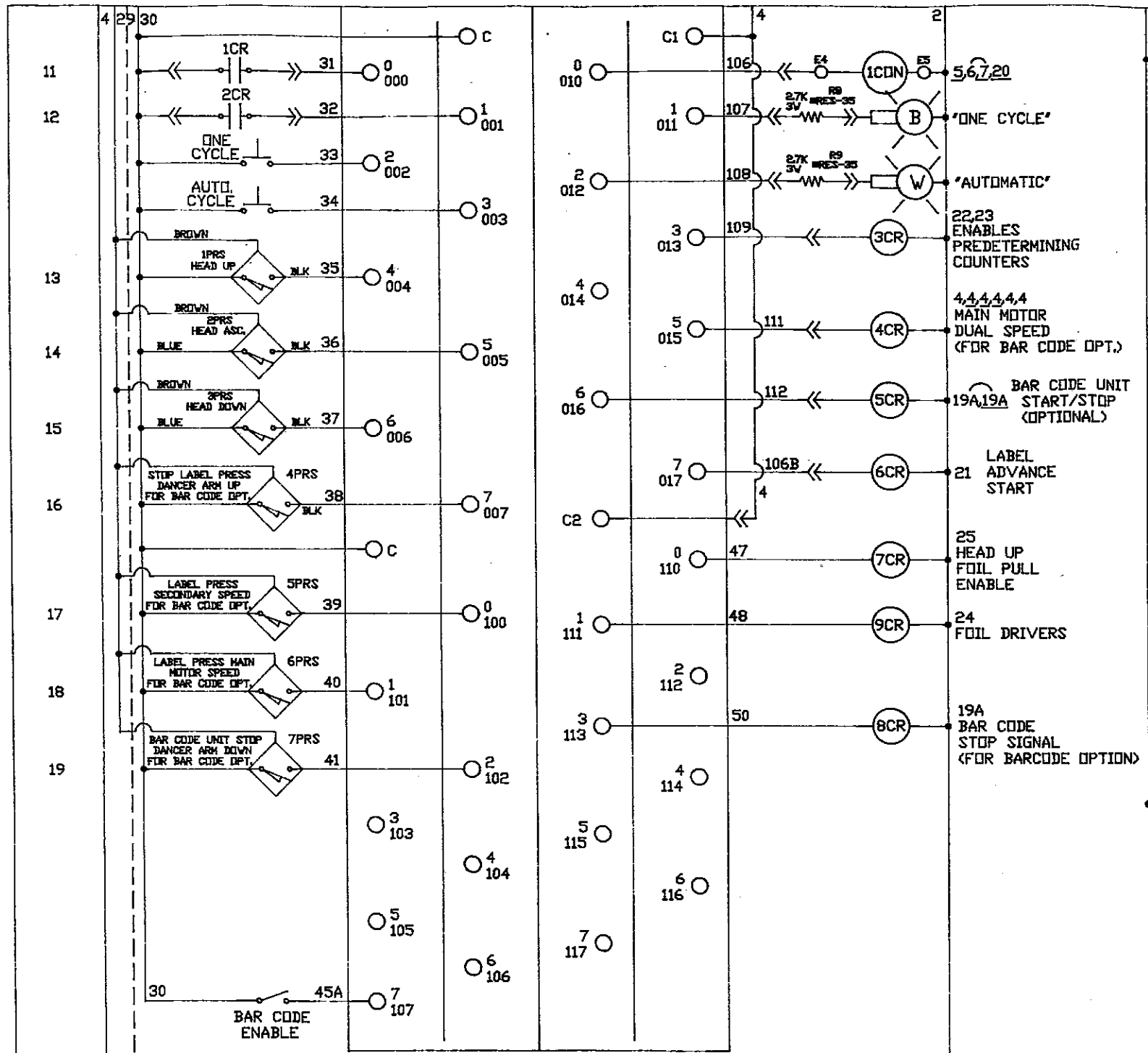
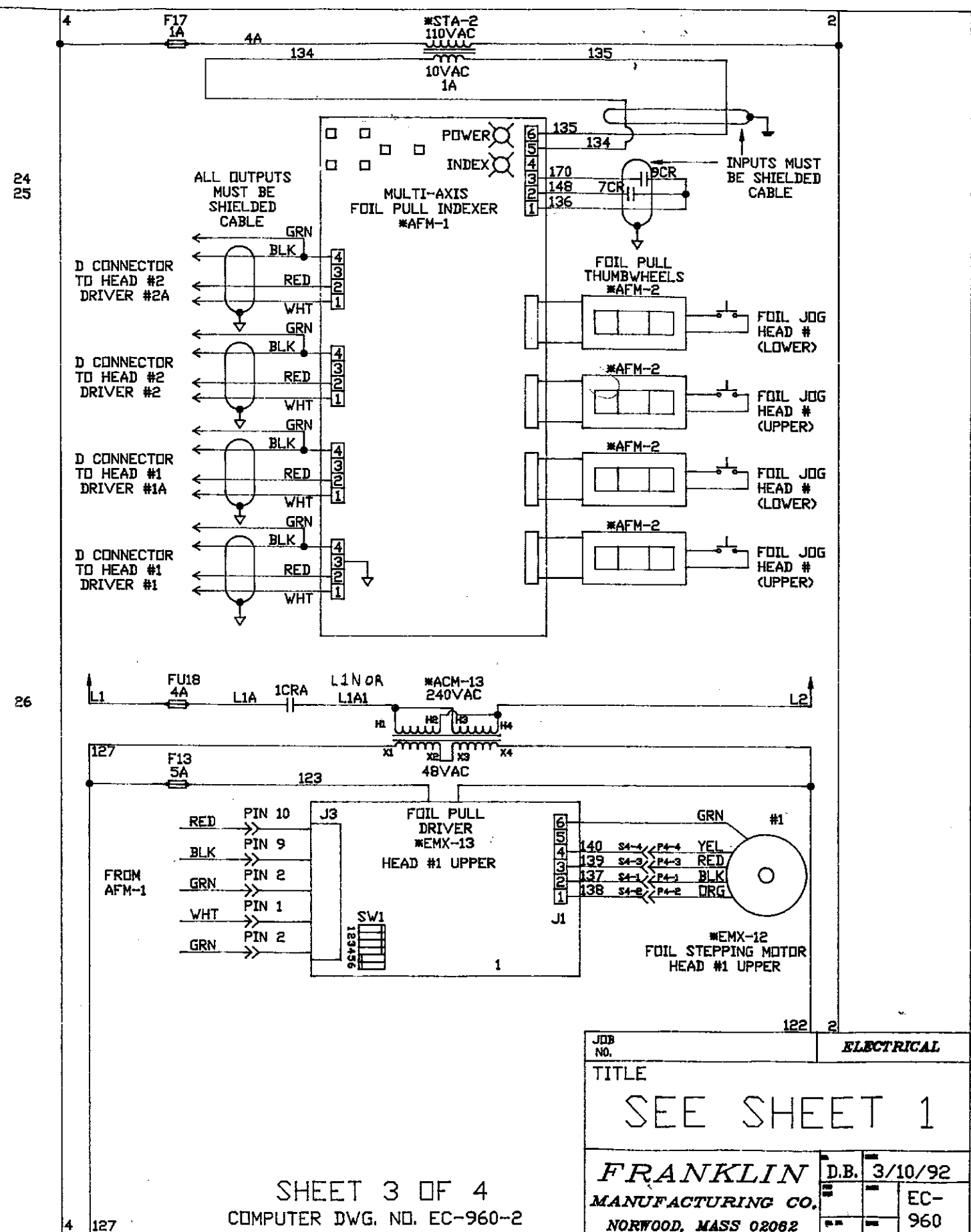
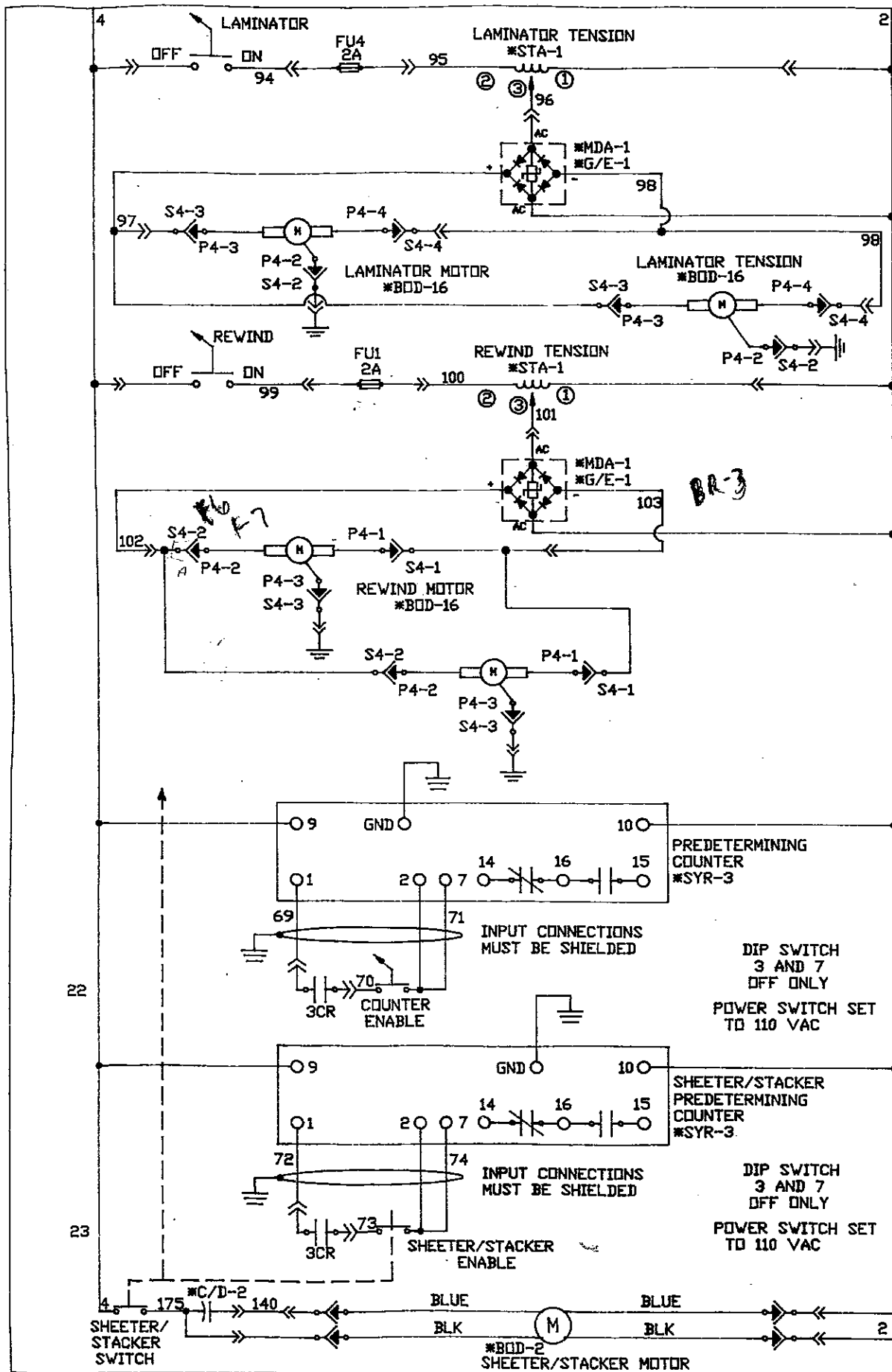


JOB NO.	ELECTRICAL	
TITLE	GENERATION 2 LABEL PRESS	
FRANKLIN MANUFACTURING CO. NORWOOD, MASS 02062	D.B.	3/10/92
		EC-960



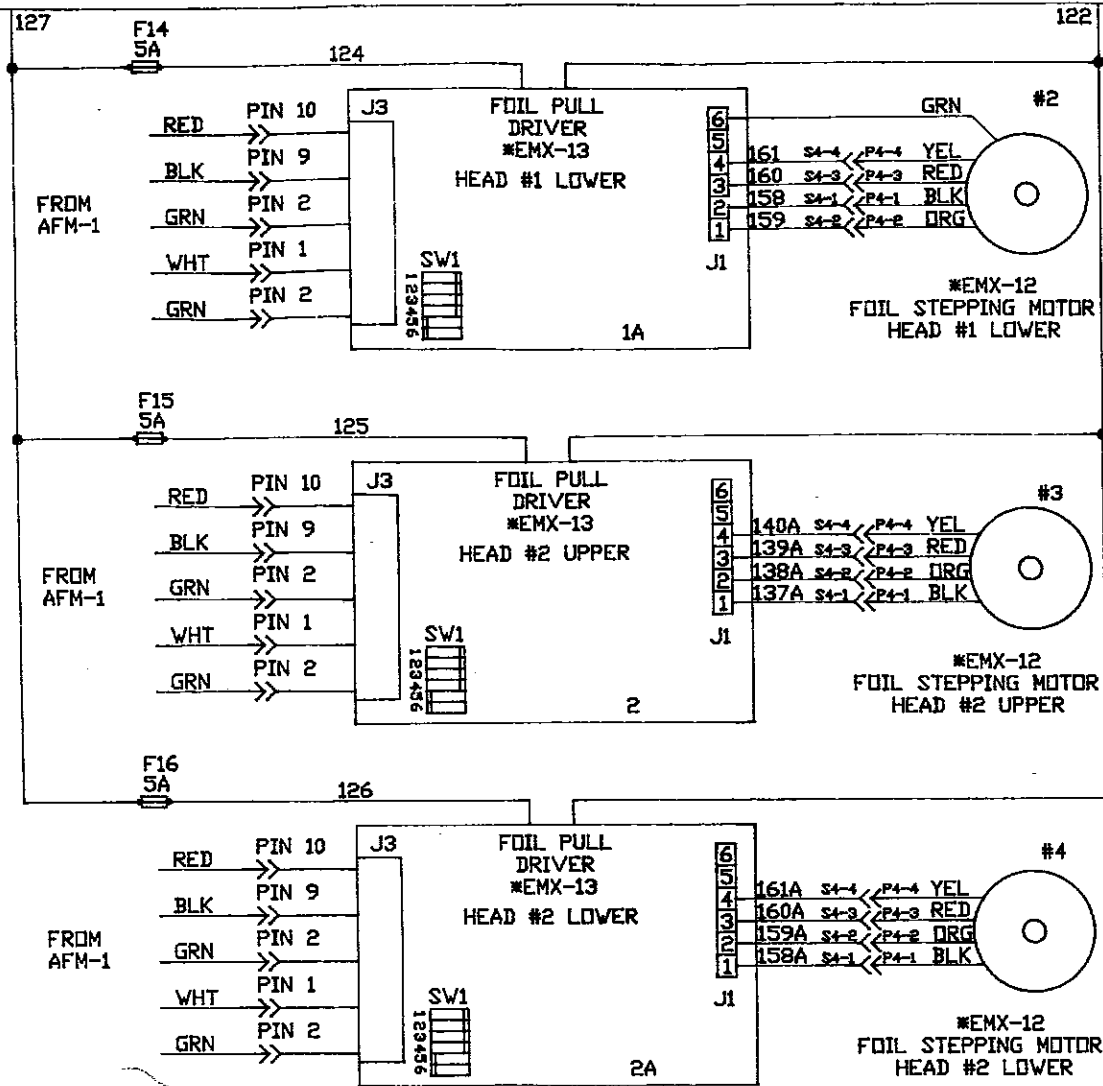
JOB NO.	ELECTRICAL	
TITLE	SEE SHEET 1	
FRANKLIN MANUFACTURING CO.	D.B.	3/10/92
NORWOOD, MASS 02062		EC-960

SHEET 2 OF 4
COMPUTER DWG. NO. EC-960-1



SHEET 3 OF 4
 COMPUTER DWG. NO. EC-960-2

JOB NO.	ELECTRICAL	
TITLE	SEE SHEET 1	
FRANKLIN MANUFACTURING CO.	D.B.	3/10/92
NORWOOD, MASS 02062		EC-960



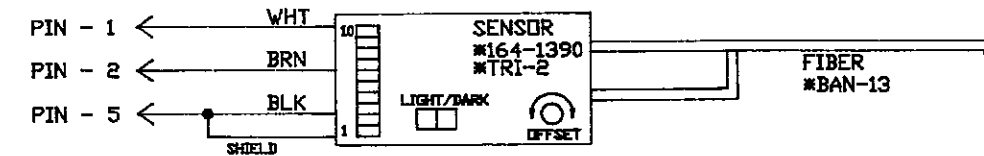
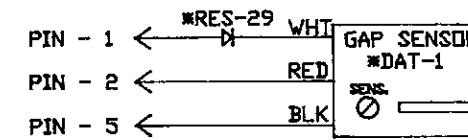
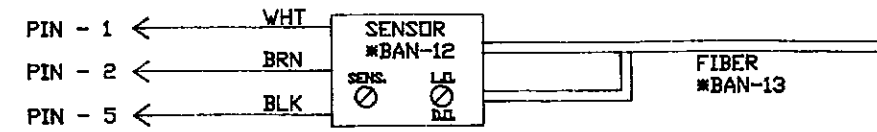
LAST WIRE - #175
LAST RELAY - #9CR

PROXIMITY SWITCHES

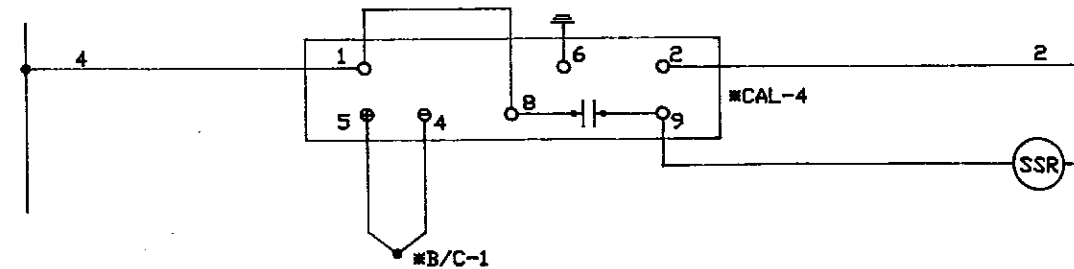
- 1PRS(13) - TRIPPED WHEN HEAD IS UP
- 2PRS(14) - TRIPPED WHEN HEAD IS ASCENDING (HEAD OFF OF MATERIAL)
- 3PRS(15) - TRIPPED WHEN HEAD IS DOWN
- 4PRS(16) - TRIPPED WHEN DANCER ARM IS UP
- 5PRS(17) - WHEN TRIPPED, ENABLES MAIN MOTOR SECONDARY SPEED
- 6PRS(18) - WHEN TRIPPED, ENABLES MAIN MOTOR RUN SPEED
- 7PRS(19) - TRIPPED WHEN DANCER ARM IS DOWN

NOTE 1: REFER TO GIVEN # DESIGNATION WHEN ORDERING SPECIFIC SPARE PARTS

NOTE 3: FIBER OPTIC PHOTOSENSOR OPTION



NOTE 3: WIRING FOR #CAL-4



JOB NO.	ELECTRICAL		
TITLE	SEE SHEET 1		
FRANKLIN MANUFACTURING CO. NORWOOD, MASS 02062	D.B.	3/10/92	EC-960