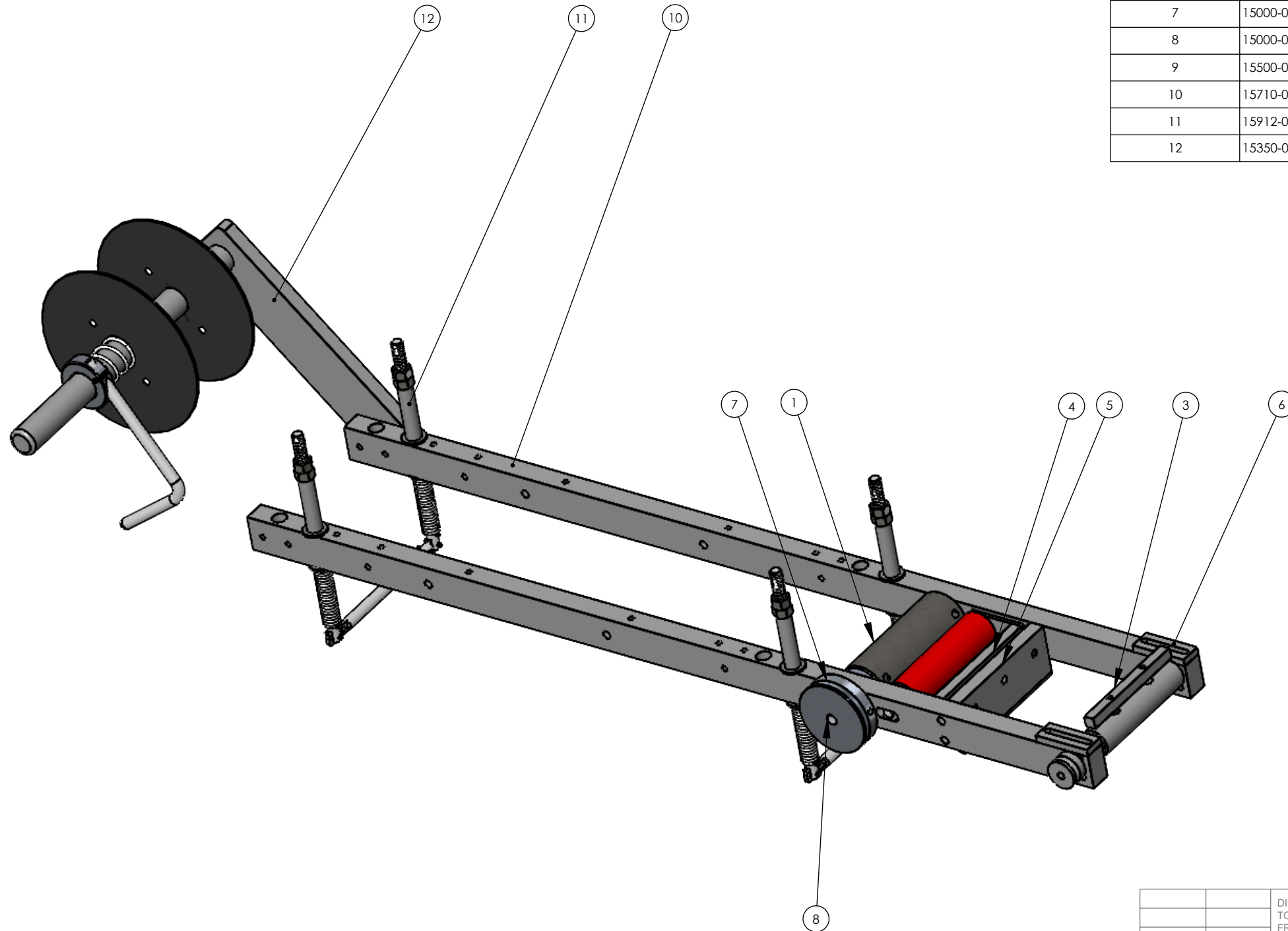


S:\AFMMACHINES\15000 FOIL FEED SYSTEMS\15510 2X4 3X6\

ITEM NO.	DRAWING NUMBER	PartNo	DESCRIPTION	QTY.
1	15310-001 2X4 3X6	103142	2X4 3X6 Metal Roller	1
2	15321-000	102593	2X4 3X6 Roller, Rubber	1
3	15410-000	103275	Takeup Assembly 2X4 3X6	1
4	15510-000	103488	2X4 3X6	1
5	15610-001	104478	RAIL SPACER	1
6	15000-001	100428	Foil Take Up Keeper	2
7	15000-002	100249	Foil Feed Large Pulley	1
8	15000-004	102954	Knurled roller pin (Pulley Side)	1
9	15500-003		Washer Plastic	2
10	15710-002 33in Rail	104059	RAIL 33IN	2
11	15912-000 2X4 3X6 8 Vertical	103582	STRIPPER BAR ASSEM 2X4, 3x6	2
12	15350-000-2X4-6X8	104477	FOIL SUPPLY ASSEM 2"X4" 3"X6'	1



PROPRIETARY AND CONFIDENTIAL
 THE INFORMATION CONTAINED IN THIS DRAWING IS THE SOLE PROPERTY OF AFM ENGINEERING, INC. ANY REPRODUCTION IN PART OR AS A WHOLE WITHOUT THE WRITTEN PERMISSION OF AFM ENGINEERING INC. IS PROHIBITED.

DIMENSIONS ARE IN INCHES TOLERANCES: FRACTIONAL ± ANGULAR: MACH ± BEND ± TWO PLACE DECIMAL ± THREE PLACE DECIMAL ±		NAME	DATE	AFM Engineering, Inc. FRANKLIN KENSOL-FRANKLIN PART # 103582 2"X4" 3"X6" No Drive
DRAWN	Irwin	-		
CHECKED	Irwin	-		
ENG APPR.				
MFG APPR.				
Q.A.				
NEXT ASSY	USED ON	COMMENTS:		
APPLICATION	DO NOT SCALE DRAWING			
SIZE	DWG. NO.	REV.		
B	15510-000 2X4 3X6			
SCALE: 1:1		WEIGHT: 10.972		SHEET 1 OF 1