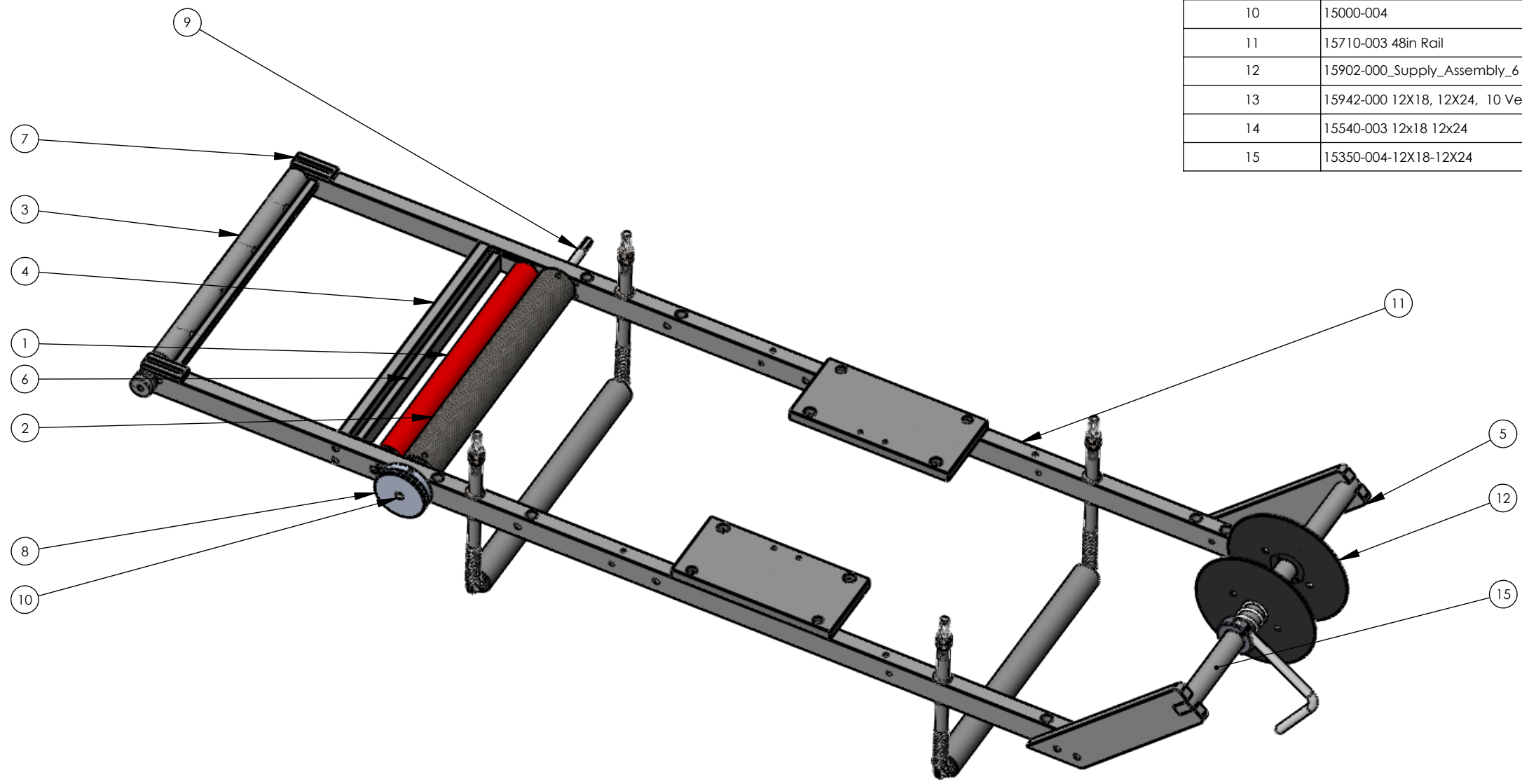


S:\AFMMachines\15000 Foil Feed Systems\15540 12X18 12X24\

ITEM NO.	PART NUMBER	DESCRIPTION	QTY.
1	15324-000	Roller, Rubber, 12X18 12X24	1
2	15310-004 12X18 12X24	12X18 12X24 Knurled Roller	1
3	15440-000	12X18 12X24 Foil Takeuo Assembly	1
4	15640-001	RAIL SPACER	1
5	15000-007	Mandrel support bar	2
6	15530-000	Roller Pressure Assembly 12X18 12X24	1
7	15000-001	Foil Take Up Keeper	2
8	15000-002	Foil Feed Large Pulley	1
9	15000-003	Knurled roller pin (drive side)	1
10	15000-004	Knurled roller pin (Pulley Side)	1
11	15710-003 48in Rail	FRANKLIN 48 INCH RAIL	207154
12	15902-000_Supply_Assembly_6 Inch	Foil Supply Flange Kit 6"	1
13	15942-000 12X18, 12X24, 10 Vertical	STRIPPER BAR ASSEM 12X18,12X24 10L	2
14	15540-003 12x18 12x24	MOUNTING PLATE 12X18 12X24	3
15	15350-004-12X18-12X24	-	1



PROPRIETARY AND CONFIDENTIAL
 THE INFORMATION CONTAINED IN THIS DRAWING IS THE SOLE PROPERTY OF AFM ENGINEERING, INC. ANY REPRODUCTION IN PART OR AS A WHOLE WITHOUT THE WRITTEN PERMISSION OF AFM ENGINEERING INC. IS PROHIBITED.

		DIMENSIONS ARE IN INCHES TOLERANCES: FRACTIONAL ± ANGULAR: MACH ± BEND ± TWO PLACE DECIMAL ± THREE PLACE DECIMAL ±		NAME	DATE	AFM Engineering, Inc.	
				DRAWN	Irwin	-	
				CHECKED	Irwin	-	
				ENG APPR.			
				MFG APPR.			
				Q.A.			
				COMMENTS:			
NEXT ASSY	USED ON	FINISH		FRANKLIN KENSOL-FRANKLIN FOIL FEEDS 12X18 12X24 FOIL FEED			
APPLICATION	DO NOT SCALE DRAWING						
		SIZE	DWG. NO.			REV.	
		B	15540-000				
		SCALE: 1:1		WEIGHT: 25.965		SHEET 1 OF 1	