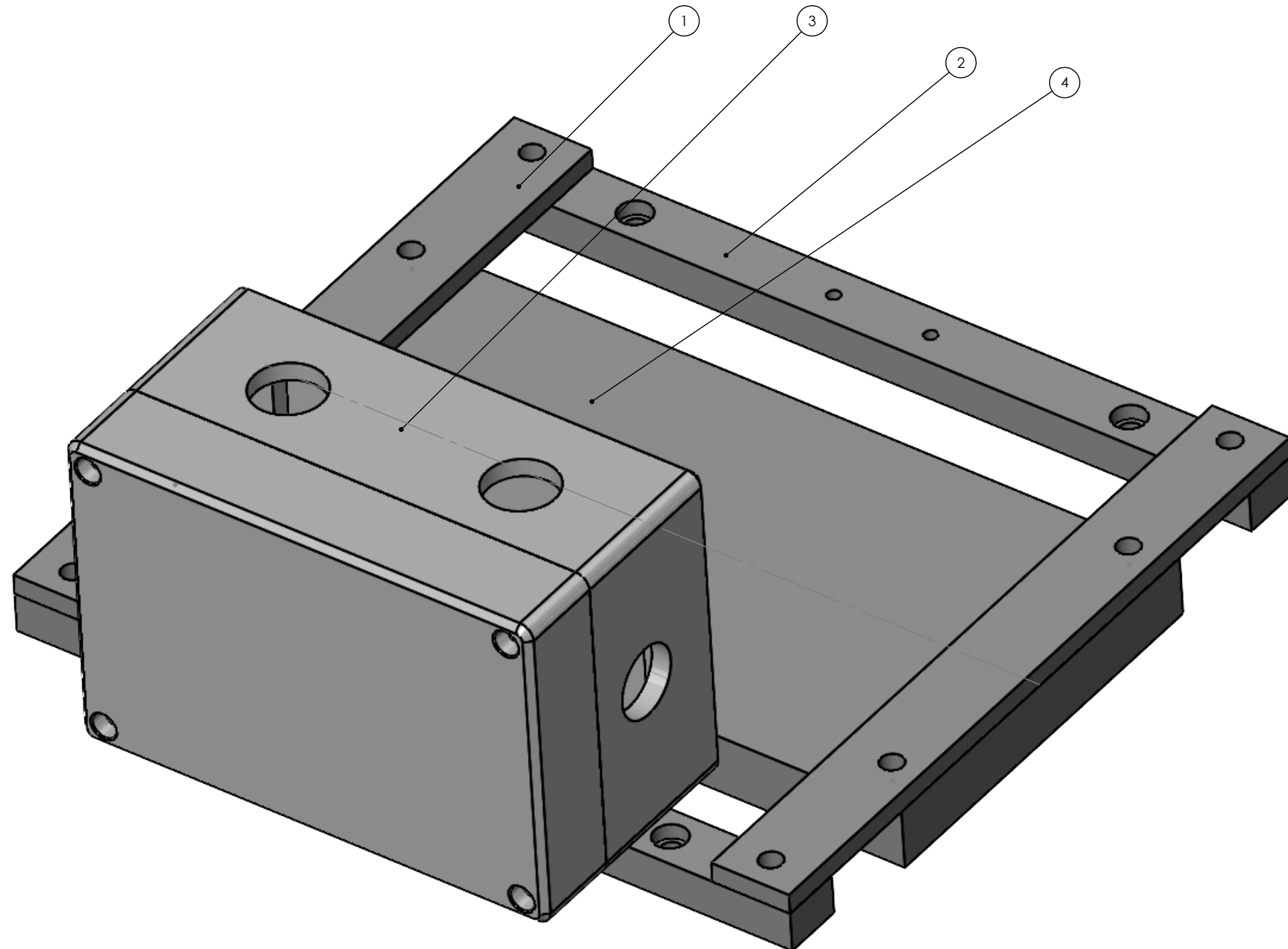


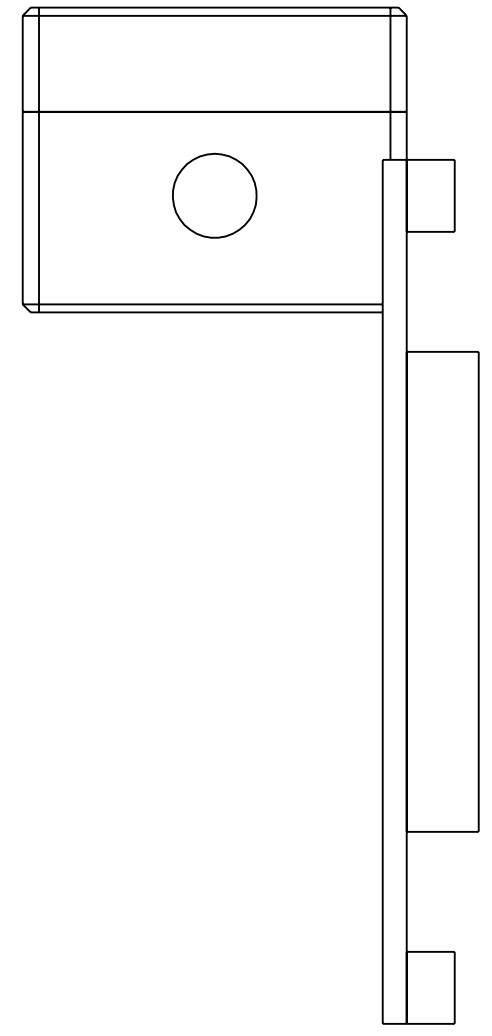
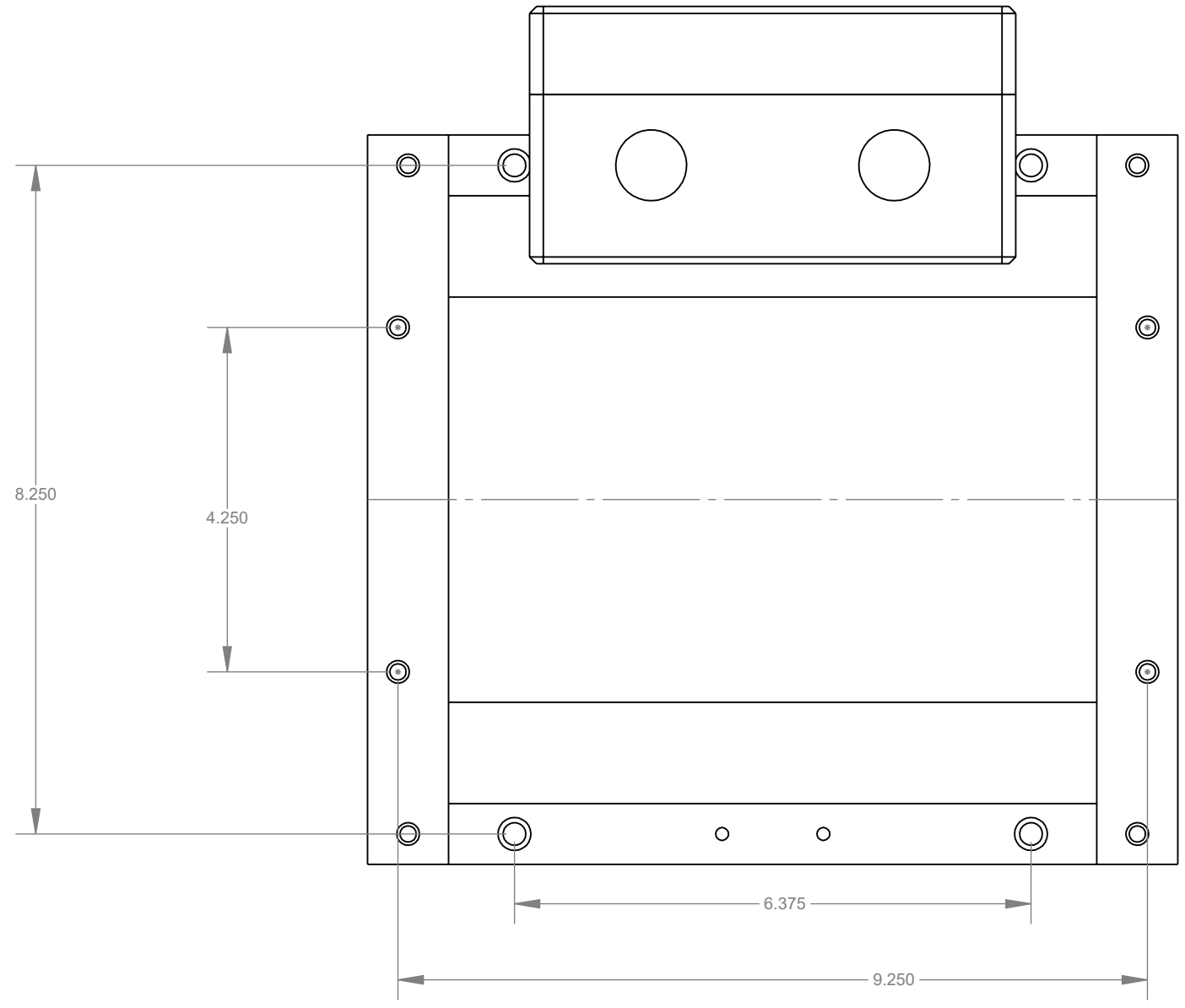
S:\AFMMachines\15000 Foil Feed Systems\15750 Rail\_Mounts\15751\_Rail\_Mount\_Kensol

ITEM NO.	PART NUMBER	PartNo	DESCRIPTION	QTY.
1	002_15751_Rail_Mount_Kensol	105072	KENSOL FOIL FEED ADAPTOR 2	2
2	001_15751_Rail_Mount_Kensol	105071	KENSOL FOIL FEED ADAPTOR 1	2
3	Box_AFM	104634	Electrical Connection Box	1
4	Kensol_Ram	-	-	1



**PROPRIETARY AND CONFIDENTIAL**  
 THE INFORMATION CONTAINED IN THIS DRAWING IS THE SOLE PROPERTY OF AFM ENGINEERING, INC. ANY REPRODUCTION IN PART OR AS A WHOLE WITHOUT THE WRITTEN PERMISSION OF AFM ENGINEERING INC. IS PROHIBITED.

		DIMENSIONS ARE IN INCHES		NAME		DATE	
		TOLERANCES:		DRAWN		-	
		FRACTIONAL ±		CHECKED		-	
		ANGULAR: MACH ± BEND ±		ENG APPR.			
		TWO PLACE DECIMAL ± .010		MFG APPR.			
		THREE PLACE DECIMAL ± .005		Q.A.			
		MATERIAL		COMMENTS:			
NEXT ASSY	USED ON	FINISH					
APPLICATION		DO NOT SCALE DRAWING					
<b>AFM Engineering, Inc.</b>							
<b>AFM ENGINEERING FOIL FEED MOUNTS KENSOL FOIL FEED MOUNT AFM PART # 105070</b>							
SIZE	DWG. NO.			REV.			
<b>B</b>	000_15751_Rail_Mount_Kensol						
SCALE: 1:4		WEIGHT: 5.511		SHEET 1 OF 2			



**PROPRIETARY AND CONFIDENTIAL**  
 THE INFORMATION CONTAINED IN THIS DRAWING IS THE SOLE PROPERTY OF AFM ENGINEERING, INC. ANY REPRODUCTION IN PART OR AS A WHOLE WITHOUT THE WRITTEN PERMISSION OF AFM ENGINEERING INC. IS PROHIBITED.

		DIMENSIONS ARE IN INCHES		NAME	DATE
		TOLERANCES:		Irwin	-
		FRACTIONAL ±		Irwin	-
		ANGULAR: MACH ± BEND ±			
		TWO PLACE DECIMAL ± .010			
		THREE PLACE DECIMAL ± .005			
		MATERIAL			
NEXT ASSY	USED ON	FINISH		COMMENTS:	
APPLICATION		DO NOT SCALE DRAWING			

AFM Engineering, Inc.		
<b>AFM ENGINEERING FOIL FEED MOUNTS KENSOL FOIL FEED MOUNT AFM PART # 105070</b>		
SIZE	DWG. NO.	REV.
<b>B</b>	000_15751_Rail_Mount_Kensol	
SCALE: 1:4	WEIGHT: 5.511	SHEET 2 OF 2