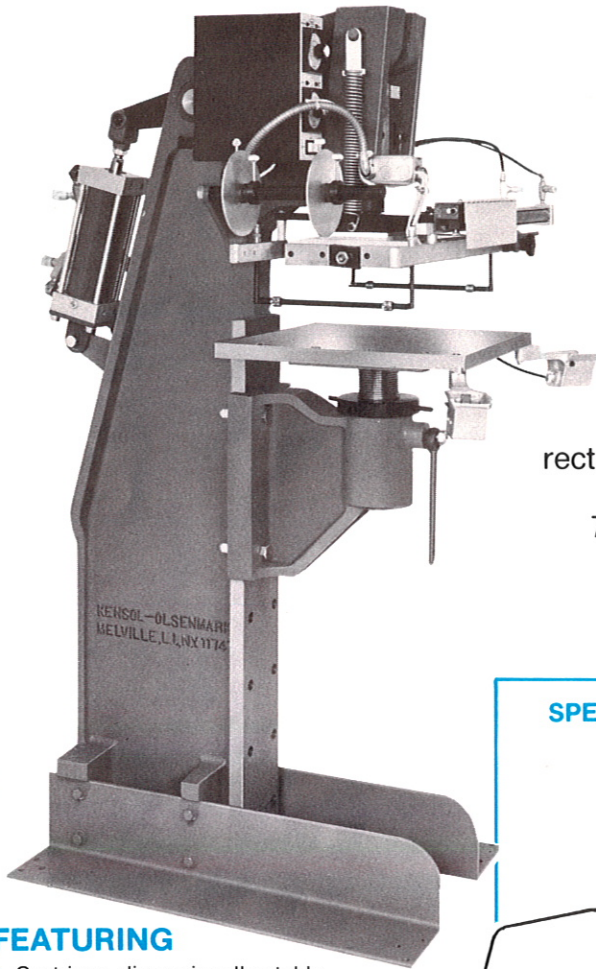


Kensol 157

7 TON AIR-OPERATED ROLL LEAF STAMPING PRESS

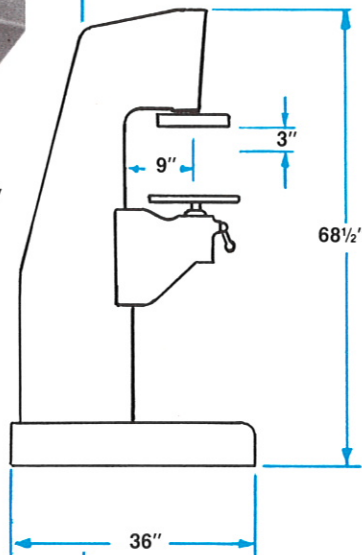


The new Kensol 157 replaces the popular 156 and 110 floor model stampers. The newly designed cast iron frame, 4" wide rectangular head ram and 3" diameter acme threaded table ram provide additional rigidity to support the 7 tons of pressure developed by the double toggle drive system. This versatile machine is ideal for plastic molders and other decorators since it can handle items from flat up to 24" high.

FEATURING

- Cast iron, dimensionally stable, C frame construction
- Double toggle head drive automatically compensates for thickness variations
- 4" wide rectangular head ram and 3" diameter table ram for additional rigidity
- 3" head stroke for ease of feeding
- Accepts items up to 24" high
- Ground steel work table
- Electrical control panel with plug-in solid state heat controller and electronic dwell timer
- Pure dwell. Solid state timer does not start timing until head contacts item being decorated
- Setup switch on control panel
- Hand lever included to bring head down manually for setup, if desired
- 2 hand switches with simultaneous no tie down feature and head shut safety system for operator protection
- Air filter, pressure regulator and automatic lubricator included
- Multiple feed roll leaf attachments available
- Both head and roll leaf attachment have adjustable speed valves
- Delay valve on roll leaf feed aids stripping action

SPECIFICATIONS



IMPRESSION AREA	HEATING SYSTEM
6" x 8"	1,000 Watts
6" x 12"	1,500 Watts
10" x 15"	4,200 Watts
12" x 18"	4,800 Watts

HEAD STROKE: 3 inches
 DEPTH OF THROAT: 9 inches
 MAXIMUM OPENING: 27 inches
 WILL HOT STAMP ITEMS UP TO 24 INCHES HIGH
 PRESSURE RANGE: Up to 7 Tons

WORK TABLE:

1/2" x 12" x 14" standard on 6" x 8" and 6" x 12" heads
 1" x 18" x 18" standard on 10" x 15" head
 1" x 16" x 24" standard on 12" x 18" head

HEAT CONTROL: Plug-in style solid state 0-600°F range proportioning over 4200 watts

DWELL CONTROL: Plug-in style solid state electronic 0-5 second range, 0-10 second optional

CONTROLS: Two hand, concurrent, no tie down switches with head shut safety system

ELECTRICAL REQUIREMENTS: 110 Volts A.C. standard on 6" x 8" and 6" x 12" heads; 220 Volts A.C. standard on 10" x 15" and 12" x 18" heads

COMPRESSED AIR REQUIREMENTS: 9 CFM at 80 P.S.I.

DIMENSIONS: 36" deep x 22" wide x 68 1/2" high
 WEIGHT: 950 pounds net

KENSOL-OLSENMARK INC.

40 MELVILLE PARK ROAD, MELVILLE, N.Y. 11747

PHONE: (516) 694-7773 • TWX 510-224-6418

ESTABLISHED 1920

WE ALSO MANUFACTURE FOILMARK ROLL LEAF