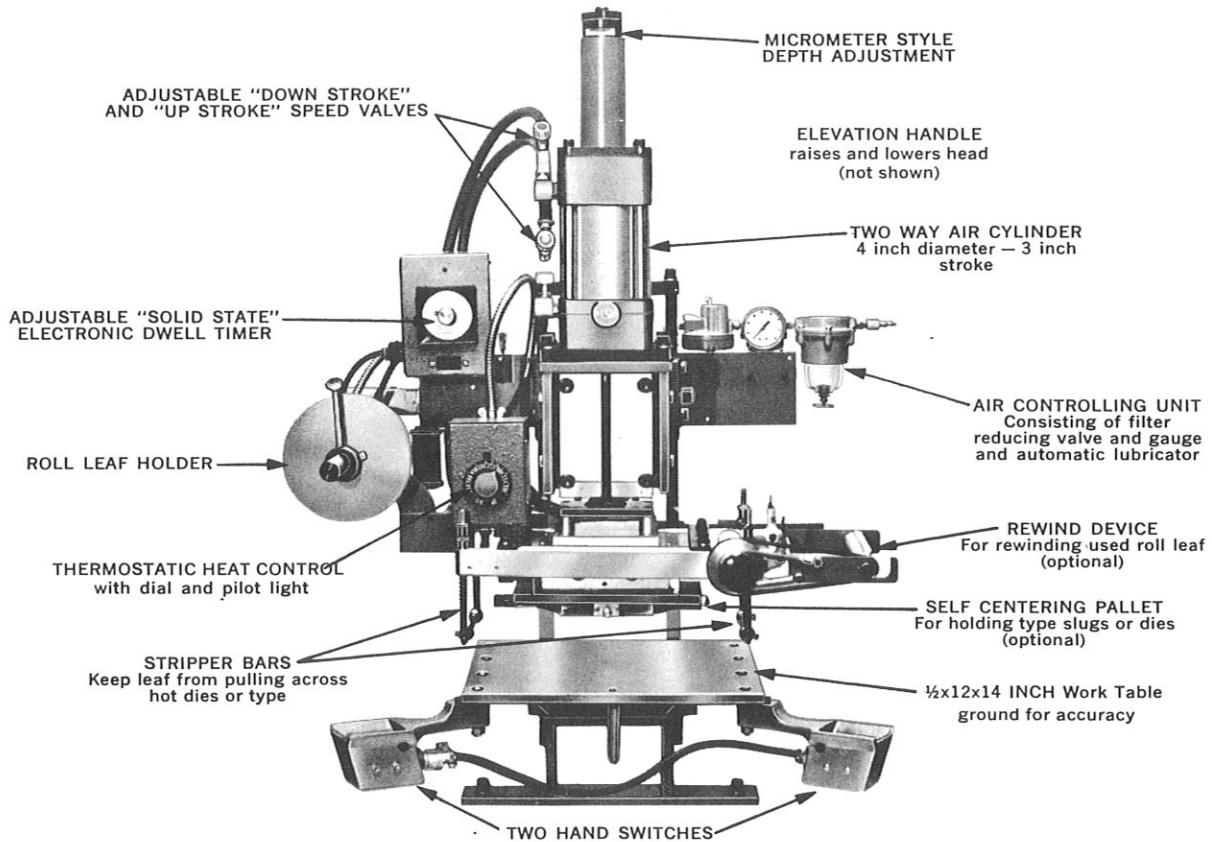


# KENSOL 16T

**1/2 TON AIR-OPERATED**  
ROLL LEAF STAMPING PRESS

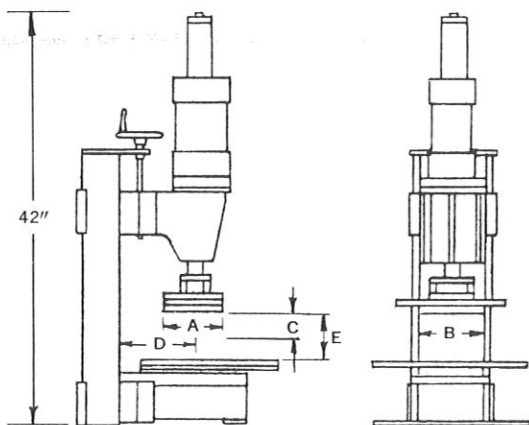


The Kensol 16T is a completely new 1/2 ton press designed to replace the popular 15T. It incorporates many worthwhile features such as a three inch head stroke, micrometer style depth adjustment on main cylinder, manual slide work table for ease of makeready, yet sells for approximately the same price as the 15T. The 16T is equipped with quality components used on larger Kensol equipment.

The four inch diameter air cylinder, controlled by an electronic dwell-timer, will compensate for thickness variation common in most items. Electronic set up switches are included for ease of set up.

This press is available with turntables and power slide table (see Bulletin 3-8).

## DIMENSIONS:



## SPECIFICATIONS: ( letters before the more important dimensions ) pertain to the diagrams at left

IMPRESSION AREA	DIRECTION OF AUTOMATIC ROLL LEAF ATTACHMENT
(A) 2 x (B) 4 Inches	Front to Back (Mechanical Pull)
(A) 2 x (B) 4 Inches	Left to Right (Air Operated Pull)
(A) 2 x (B) 6 Inches	Front to Back (Mechanical Pull)
(A) 2 x (B) 6 Inches	Left to Right (Air Operated Pull)
(A) 5 x (B) 6 Inches	Left to Right (Air Operated Pull)
(A) 5 x (B) 6 Inches	Front to Back (Air Operated Pull)

HEAD STROKE: (C) 3 Inches

DEPTH OF THROAT: (D) 7 1/2 Inches

MAXIMUM OPENING (with head in up position): (E) 9 Inches

WILL HOT STAMP ITEMS UP TO 6 INCHES HIGH

Can be purchased with longer columns to take items of any height

PRESSURE RANGE: Up to 1/2 ton (4 inch air cylinder develops approximately 12 times line pressure)

WORK TABLE: 12 x 14 inches, ground for accuracy. Slides in and out by hand for makeready purposes

HEATING SYSTEM:

1 - 325 Watt cartridge heater in 2 x 4 inch head, 325 Watt total

1 - 500 Watt cartridge heater in 2 x 6 inch head, 500 Watt total

2 - 400 Watt cartridge heater in 5 x 6 inch head, 800 Watt total

THERMOSTAT: Robertshaw 0-550°F, complete with dial and pilot light

ELECTRONIC DRILL-TIMER: Solid State 0-3 seconds complete with ON-OFF switch, dial and pilot light

CONTROLS: Two, no tie down, concurrent hand switches, standard.

ELECTRICAL REQUIREMENTS: 110 Volts A.C.

COMPRESSED AIR REQUIREMENTS: 5 C.F.M. at 100 pounds pressure (or a 1 HP Compressor)

DIMENSIONS: 34" wide x 24" deep x 42" high

WEIGHT: 268 pounds net (uncrated)

SEE BULLETIN 3-8 FOR INFORMATION ON ACCESSORIES, TURNABLES AND POWER SLIDING TABLES.