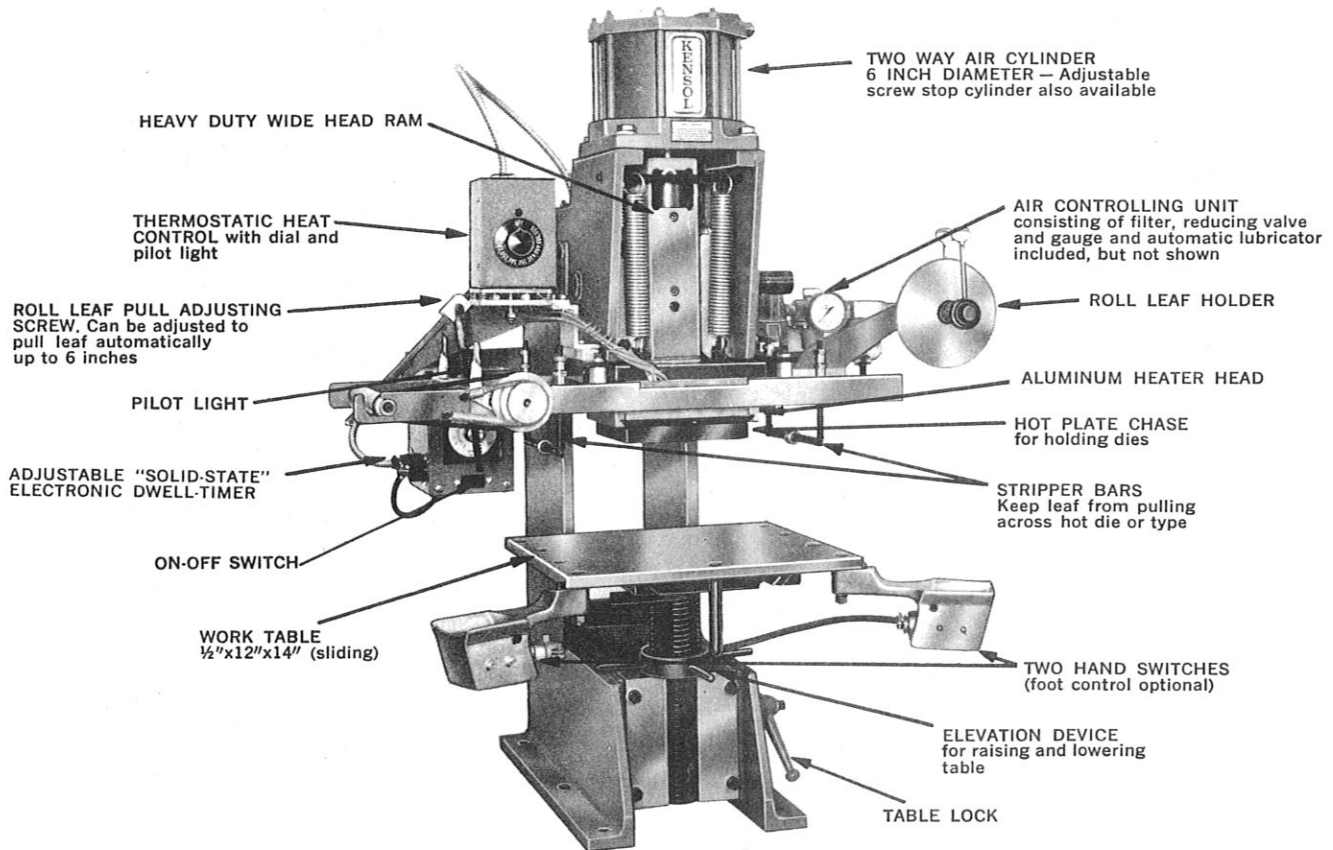


KENSOL 25T

1½ TON AIR-OPERATED
ROLL LEAF STAMPING PRESS

BULLETIN 3-3



The Kensol 25T is a direct cylinder press in the intermediate pressure range. The six inch diameter, two way air cylinder is capable of developing a head pressure of up to 1½ tons.

The 25T has a rugged, cast iron "C" frame to reduce frame "spring" to a minimum when high pressures are applied.

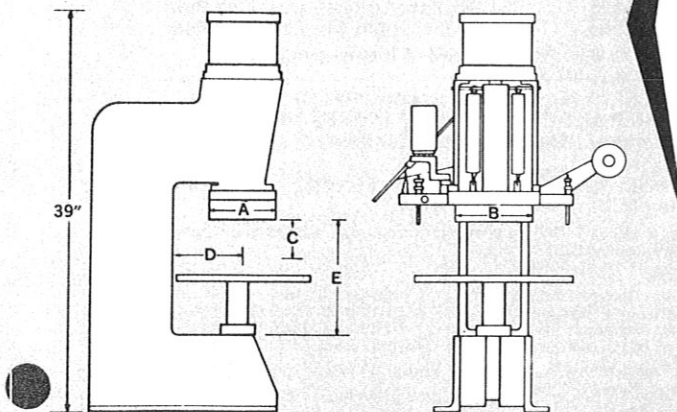
This versatile, general purpose machine will accept articles up to 6 inches high (even higher if the full 3 inch head stroke is not used).

A side to side roll leaf attachment and the long three inch head stroke permit full visibility of article being marked, and maximum feeding speed.

Standard equipment includes two hand switches; however, a foot control is also available.

The Kensol 25T can be equipped with the Kensol turntables or an air-operated sliding work table, if desired.

DIMENSIONS:



SPECIFICATIONS: (letters before the more important dimensions) pertain to the diagrams at left

- IMPRESSION AREA
 - (A) 5 x (B) 6 Inches..... Right to Left (Mechanical Pull)
 - (A) 6 x (B) 8 Inches..... Left to Right (Air-operated Pull)
 - (A) 6 x (B) 8 Inches..... Front to Back (Mechanical Pull)
 - (A) 5 x (B) 12 Inches..... Left to Right (Air-operated Pull)
 - (A) 9 x (B) 12 Inches..... Left to Right (Air-operated Pull)
- DIRECTION OF AUTOMATIC ROLL LEAF PULL
- HEAD STROKE: (C) 3 Inches standard. 4 Inches available
- DEPTH OF THROAT: (D) 6½ Inches
- MAXIMUM OPENING (with head in up position): (E) 9 Inches
- WILL HOT STAMP ARTICLES UP TO 6 INCHES HIGH.
(Higher if full head stroke is not used.)

PRESSURE RANGE: Up to 1½ Tons. (6 Inch diameter cylinder develops approximately 28 times line pressure.)

WORK TABLE: ½ x 12 x 14 Inches, ground for accuracy. Slides in and out by hand for makeready purposes.

HEATING SYSTEM:

- 2 — 400 Watt cartridge heaters in 5 x 6 inch head, 800 Watt total
- 2 — 500 Watt cartridge heaters in 6 x 8 inch head, 1000 Watt total
- 2 — 500 Watt cartridge heaters in 6 x 12 inch head, 1000 Watt total
- 3 — 700 Watt cartridge heaters in 9 x 12 inch head, 2100 Watt total

THERMOSTAT: "Robertshaw" 0 — 550°F., complete with dial and pilot light.

ELECTRIC DWELL TIMER: 0 — 3 Seconds, complete with ON-OFF switch, dial and pilot light.

CONTROLS: Two hand switches with no tie down, concurrent trip feature.

ELECTRICAL REQUIREMENTS: 110 Volts A.C. standard. 220 Volts A.C., also available.

COMPRESSED AIR REQUIREMENTS: 12½ CFM at 100 pounds pressure (or a 2 H.P. compressor).

DIMENSIONS: 21" deep x 25" wide x 39" high. **WEIGHT:** 339 Pounds net (uncrated).

SEE BULLETIN 3-8 FOR TYPE AND DIE HOLDERS, TURNTABLE, POWER SLIDING TABLE, AND OTHER ACCESSORIES

KENSOL-OLSENMARK, INC. • 40 MELVILLE PARK ROAD • MELVILLE, N. Y. 11746